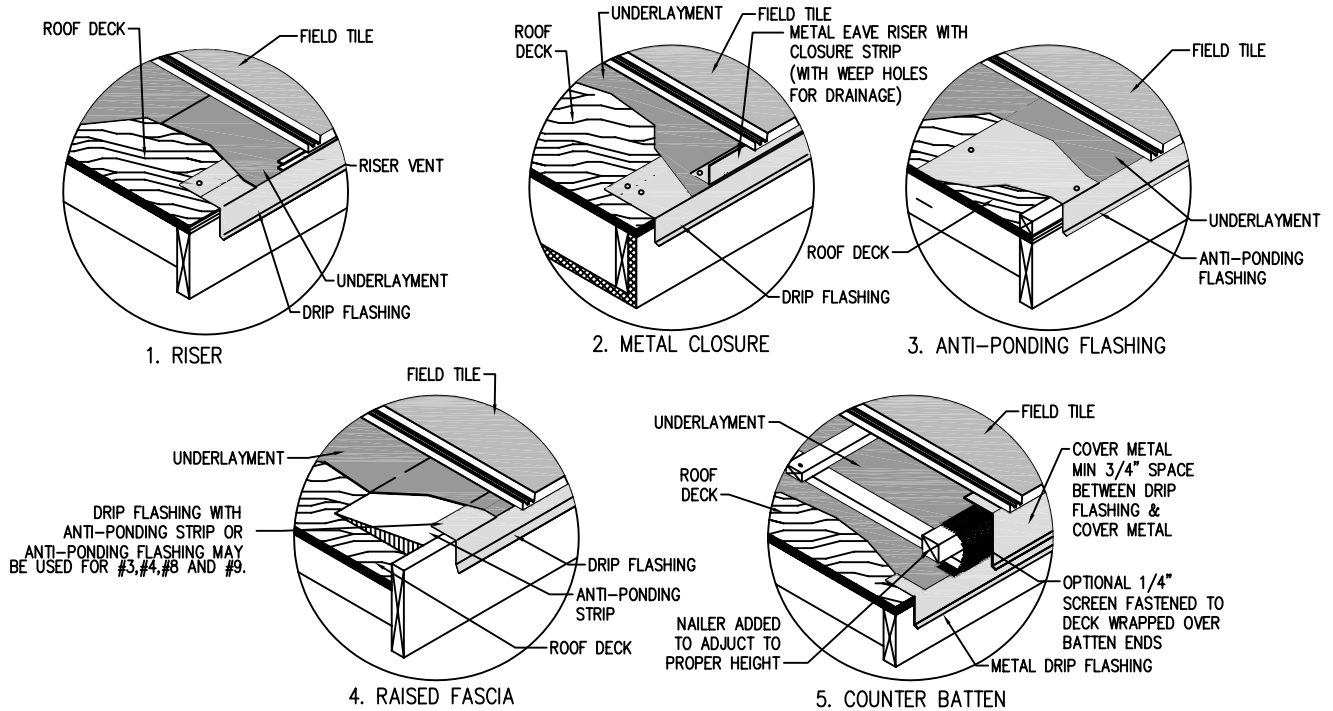


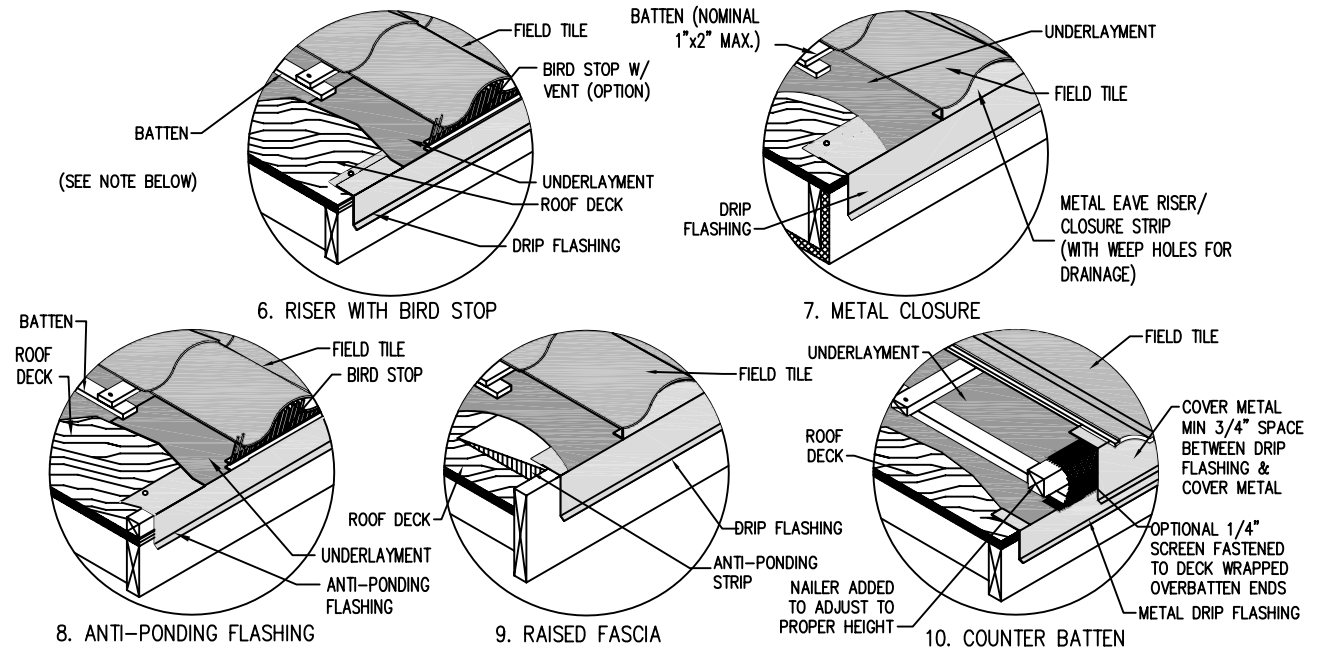
# DOWN SLOPE EAVE DETAILS

MC-10A



## LOW (FLAT) PROFILE TILES

## MEDIUM AND HIGH PROFILE TILES



1. Notes:  
Bird stop is required on High profile tile and optional on Low and Medium profile tile unless required by local building officials.
2. Bird stop may be either solid or vented

Drawing shown depicts the application of all tile profiles. Unless otherwise noted it would apply to either concrete or clay tiles.