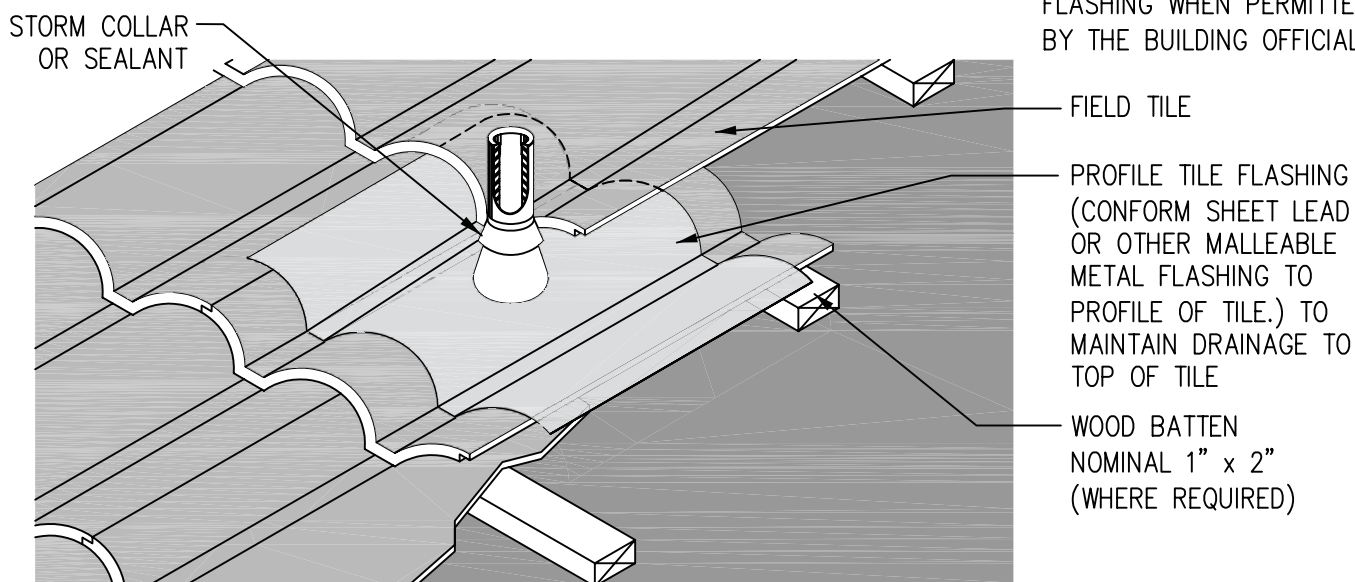
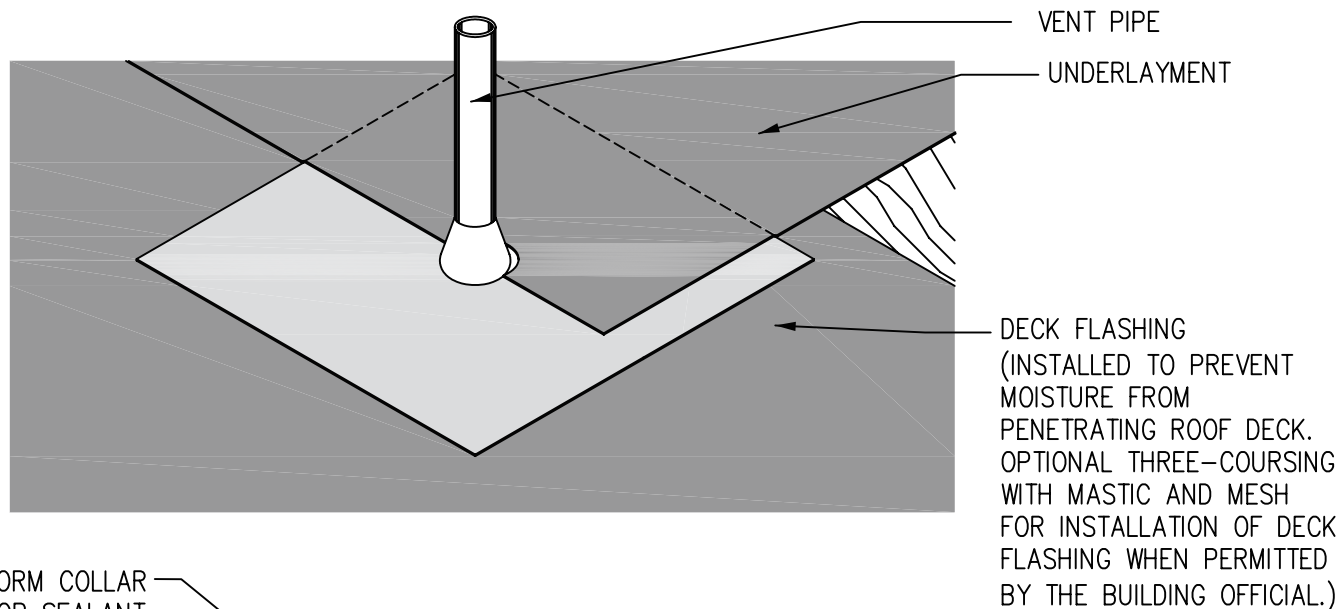


VENT PIPE FLASHING

MC-02



Notes:

1. One layer of No. 30 asphalt-saturated felt complying with ASTM D-226 Type II (ASTM D4869 Type IV) or approved is required as minimum underlayment on all tile roof applications. Other underlayments as approved by local building officials will be allowed.
2. All vent pipes require a roof deck and tile flashing.
3. Tile flashings shall extend onto the tile a minimum of 4" on flat tile and a minimum of 1" past the crown of a profiled tile.
4. For recommended tile fastening schedule(s) see Fastening Table 1 in Appendix 1A and 1B.
5. Dimensions shown are minimums and are intended to be approximate to allow for reasonable tolerances due to field conditions.
6. For flat tile, rigid flashing materials may be used.

DRAWING SHOWN DEPICTS THE APPLICATION OF ALL TILE PROFILES. UNLESS OTHERWISE NOTED IT WOULD APPLY TO EITHER CONCRETE OR CLAY TILES.

Copyright© Tile Roofing Institute/WSRCA
ICC-ES ESR-1515 01/2002, revised 04/2006

USA Owned. USA Made.

www.eagleroofing.com

