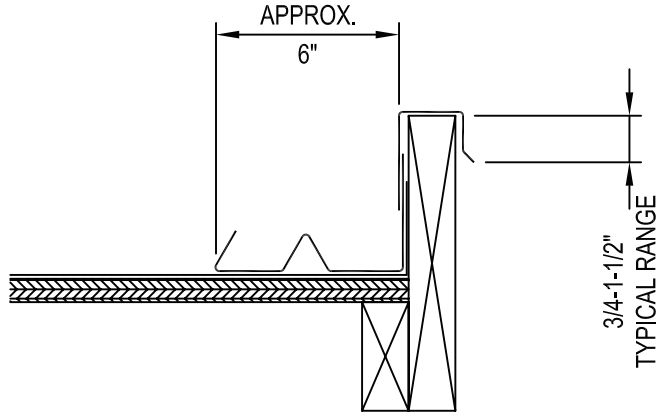


RAKE FLASHING - OPTIONS

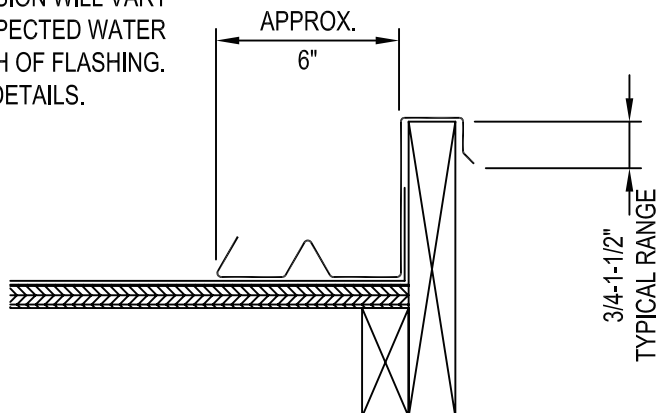
MC-19A

SEE DRAWING MC-12B FOR ADDITIONAL FLASHING INFORMATION

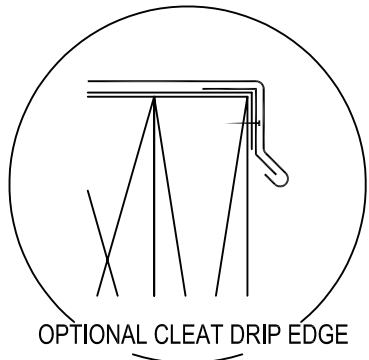


2 PIECE METAL PAN FLASHING WITH DRIP EDGE

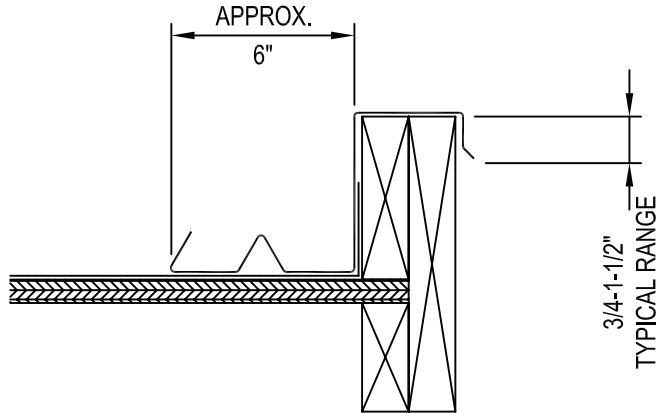
NOTE:
6" PAN DIMENSION WILL VARY BASED ON EXPECTED WATER FLOW & DEPTH OF FLASHING. TYPICAL ALL DETAILS.



ONE METAL PAN FLASHING WITH DRIP EDGE



OPTIONAL CLEAT DRIP EDGE



METAL PAN FLASHING WITH DRIP EDGE

Notes:

1. Flashing details may vary according to local weather conditions, slope of roof and tributary water area.
2. Underlayment will extend a minimum of 4" up vertical wood blocking, wall, or to the top of gable fascia.
3. Sheet metal Flashing should be a minimum of 26 ga. G-90 galvanized steel, 16 oz. copper or an equivalent longevity non-corrosive metal.
4. Dimensions shown are minimums and are intended to be approximate to allow for reasonable tolerances due to field conditions.
5. Rake flashing and wood nailer/trim board will be raised above the roof deck to a height greater than the height of the installed roof tile.

DRAWING SHOWN DEPICTS THE APPLICATION OF ALL TILE PROFILES. UNLESS OTHERWISE NOTED IT WOULD APPLY TO EITHER CONCRETE OR CLAY TILES.

Copyright© Tile Roofing Institute/WSRCA
ICC-ES ESR-2015 01/2002, revised 04/2006

USA Owned. USA Made.
www.eagleroofing.com

