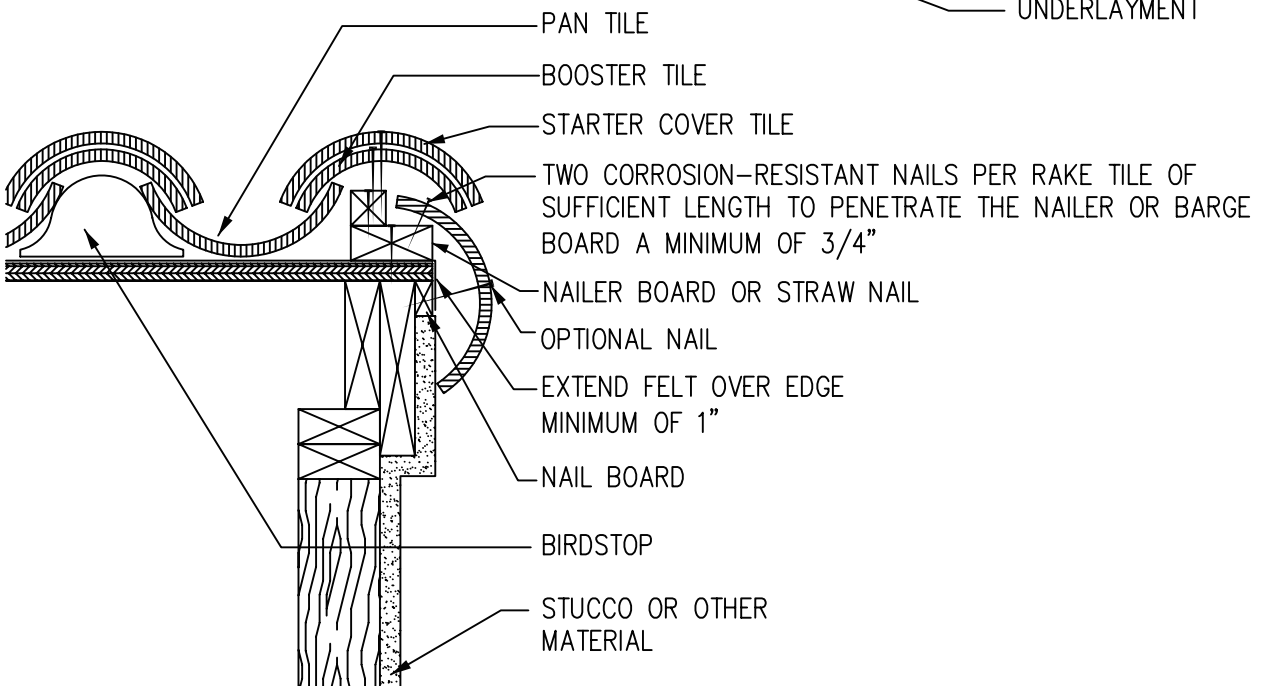
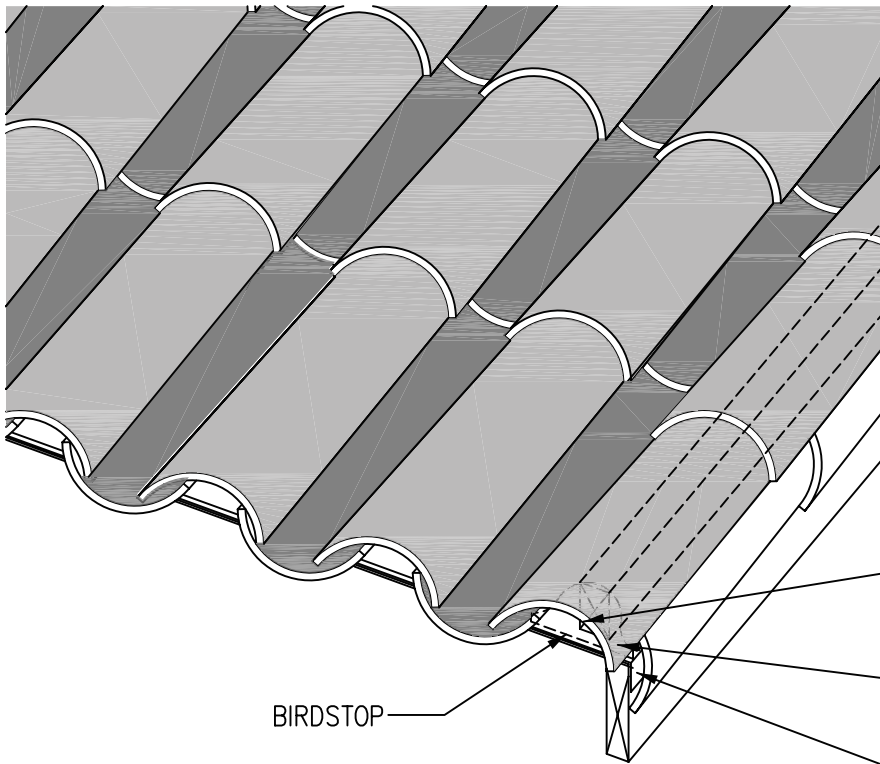


GABLE \ EAVE INSTALLATION - BARREL TILE

(CLAY TILE INSTALLATIONS)

MC-20



Notes:

1. Dimensions shown are minimums and are intended to be approximate to allow for reasonable tolerances due to field conditions.
2. See Footnote 4 Table 1A for additional fastening requirements.
3. The fasteners must penetrate a minimum of 3/4" into dimensional wood lumber.

DRAWING SHOWN DEPICTS THE APPLICATION OF ALL TILE PROFILES. UNLESS OTHERWISE NOTED IT WOULD APPLY TO EITHER CONCRETE OR CLAY TILES.

Copyright© Tile Roofing Institute/WSRCA
ICC-ES ESR-2015 01/2002, revised 04/2006

USA Owned. USA Made.

www.eagleroofing.com

