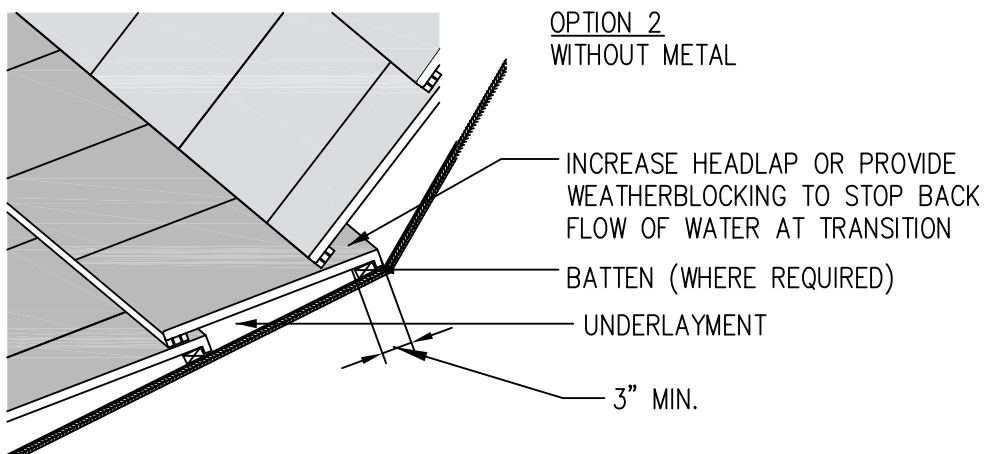
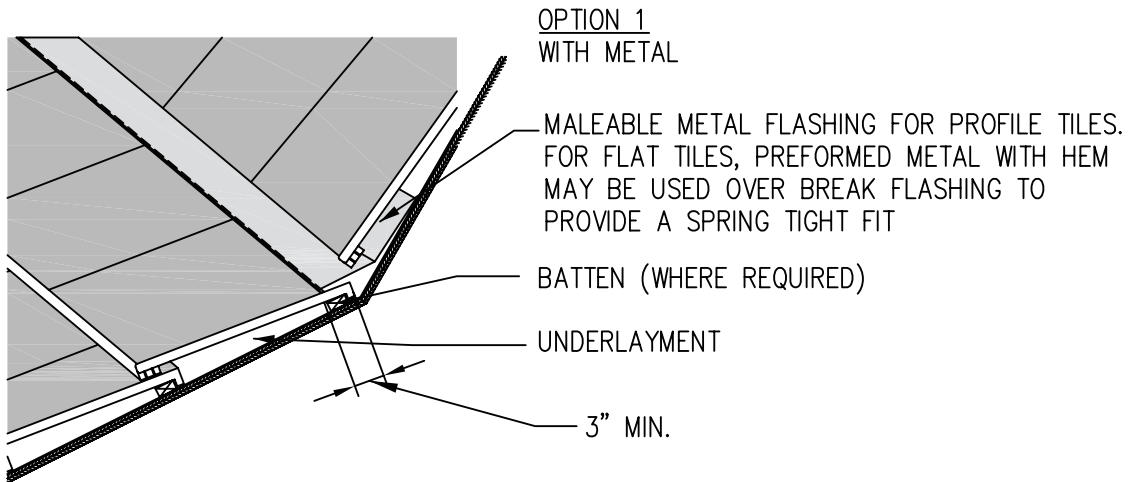
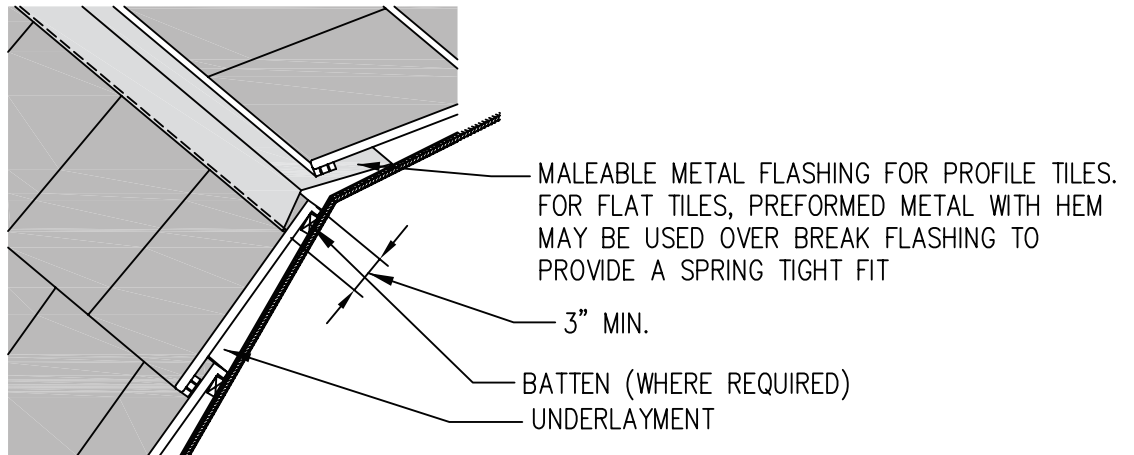


# SLOPE CHANGE APPLICATIONS

MC-22



DRAWING SHOWN DEPICTS THE APPLICATION OF ALL TILE PROFILES. UNLESS OTHERWISE NOTED IT WOULD APPLY TO EITHER CONCRETE OR CLAY TILES.

Copyright© Tile Roofing Institute/WSRCA  
ICC-ES ESR-2015 01/2002, revised 04/2006

USA Owned. USA Made.  
[www.eagleroofing.com](http://www.eagleroofing.com)

