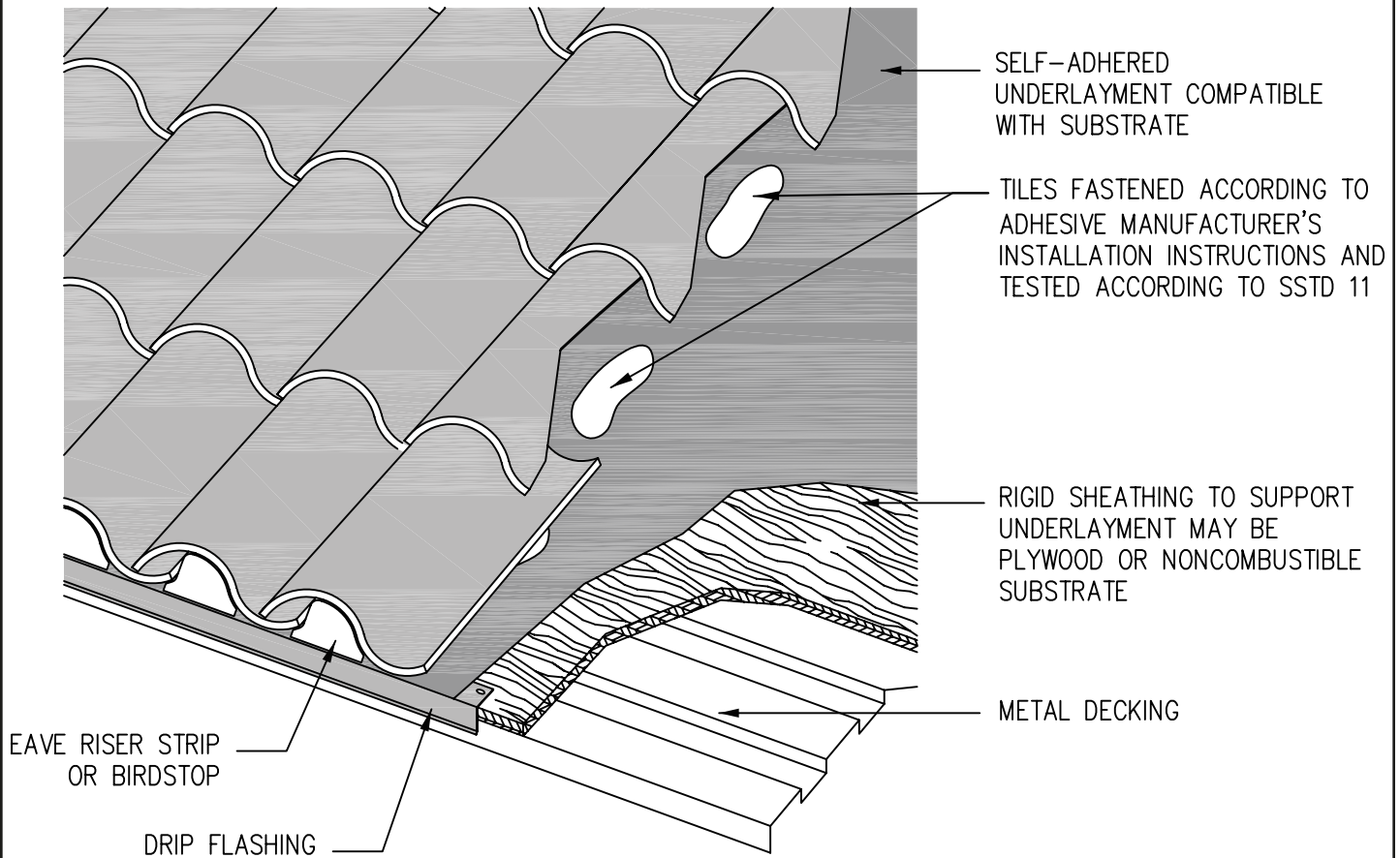


# SPECIALTY CONDITIONS - PRE-ENGINEERED ROOF

MC-25C

## Installation on Metal Deck - Optional Considerations



Note: Attachment of underlayment to sheathing shall be in accordance to assemblies that have been tested to SSTD 11.

Notes:

1. On Type I (Non-Combustible) building all components must be fire-resistant as approved by local building officials.
2. Dimensions shown are recommended minimums and are intended to be approximate to allow for reasonable tolerances due to field conditions.

DRAWING SHOWN DEPICTS THE APPLICATION OF ALL TILE PROFILES. UNLESS OTHERWISE NOTED IT WOULD APPLY TO EITHER CONCRETE OR CLAY TILES.

Copyright© Tile Roofing Institute/WSRCA  
ICC-ES ESR-2015 01/2002, revised 04/2006

USA Owned. USA Made.

[www.eagleroofting.com](http://www.eagleroofting.com)

