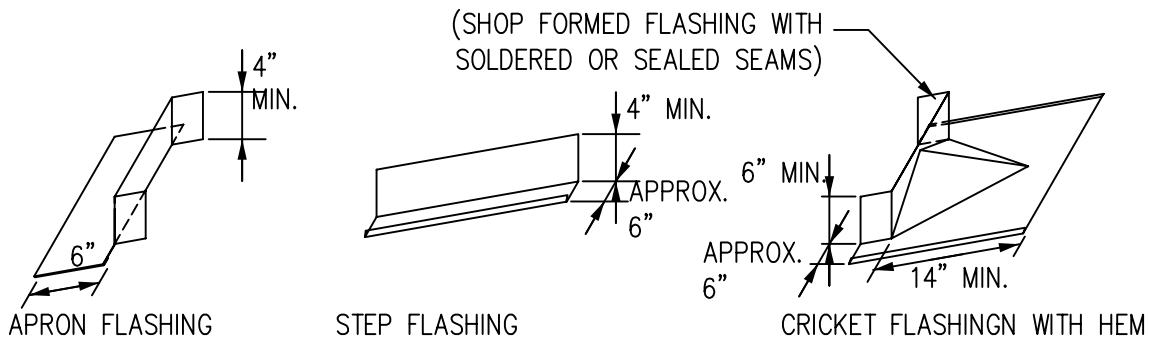
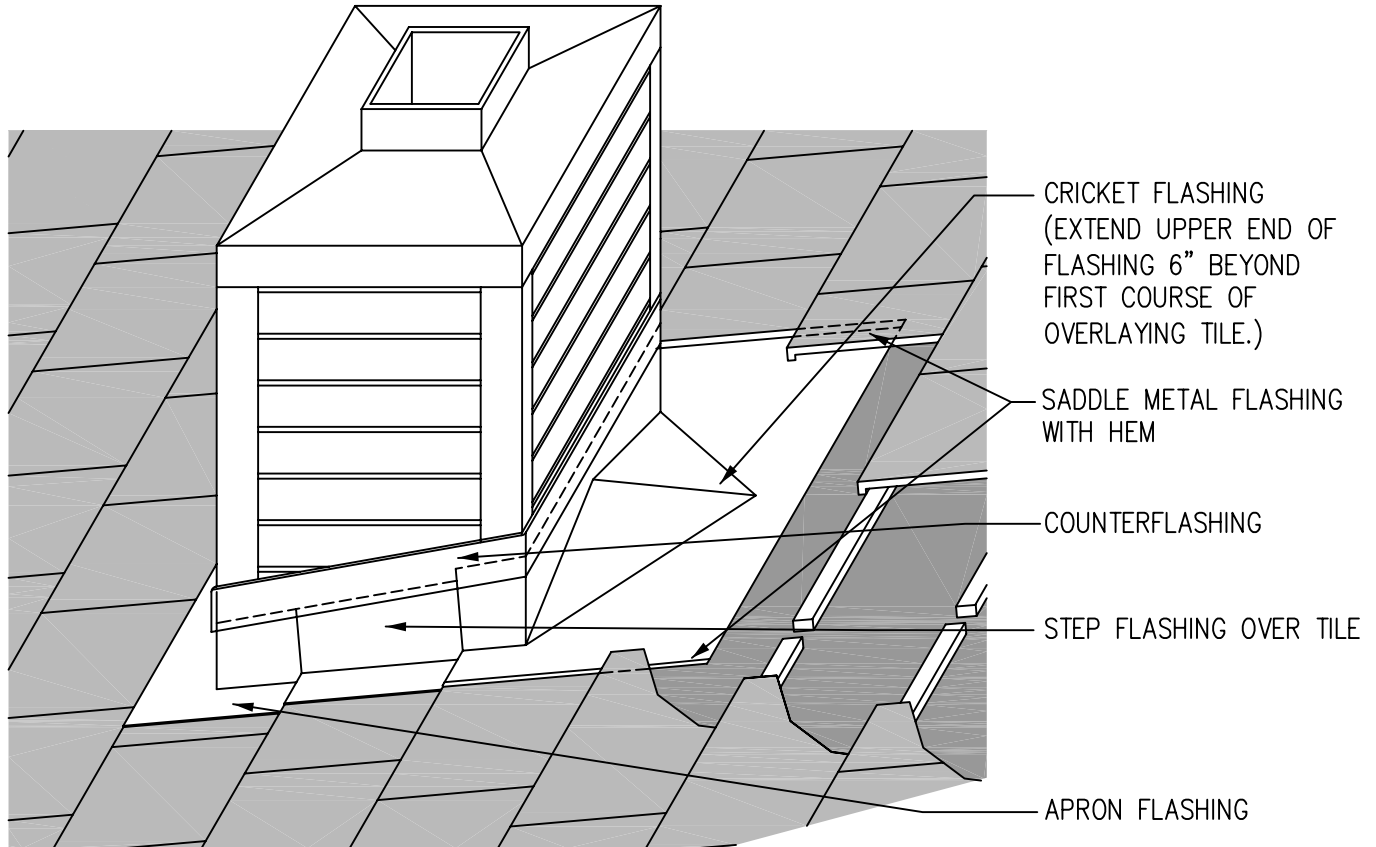


CHIMNEY CRICKET FLASHING - STEP TYPE

(Chimney or other penetration greater than 30" wide)

MC-15A

NOTE:
TYPICALLY USED IN AREAS WHERE DEBRIS CAN ACCUMULATE



- Notes:
1. Chimney flashing dimensions may vary according to local weather conditions, chimney size, chimney location, slope of roof, rafter length behind chimney and tributary water area.
 2. A saddle flashing may be used for chimneys and other penetrations less than 30" in width.
 3. Extend a minimum of 6" up chimney and 14" upslope.
 4. A diverter or cricket flashing is recommended for chimneys and other penetrations equal to or greater than 30" in width to promote positive runoff.
 5. Dimensions shown are recommended minimums and are intended to be approximate to allow for reasonable tolerances due to field conditions.
 6. Underlayment must turn up chimney wall a minimum of 4 inches.

Drawing shown depicts the application of all tile profiles. Unless otherwise noted it would apply to either concrete or clay tiles.