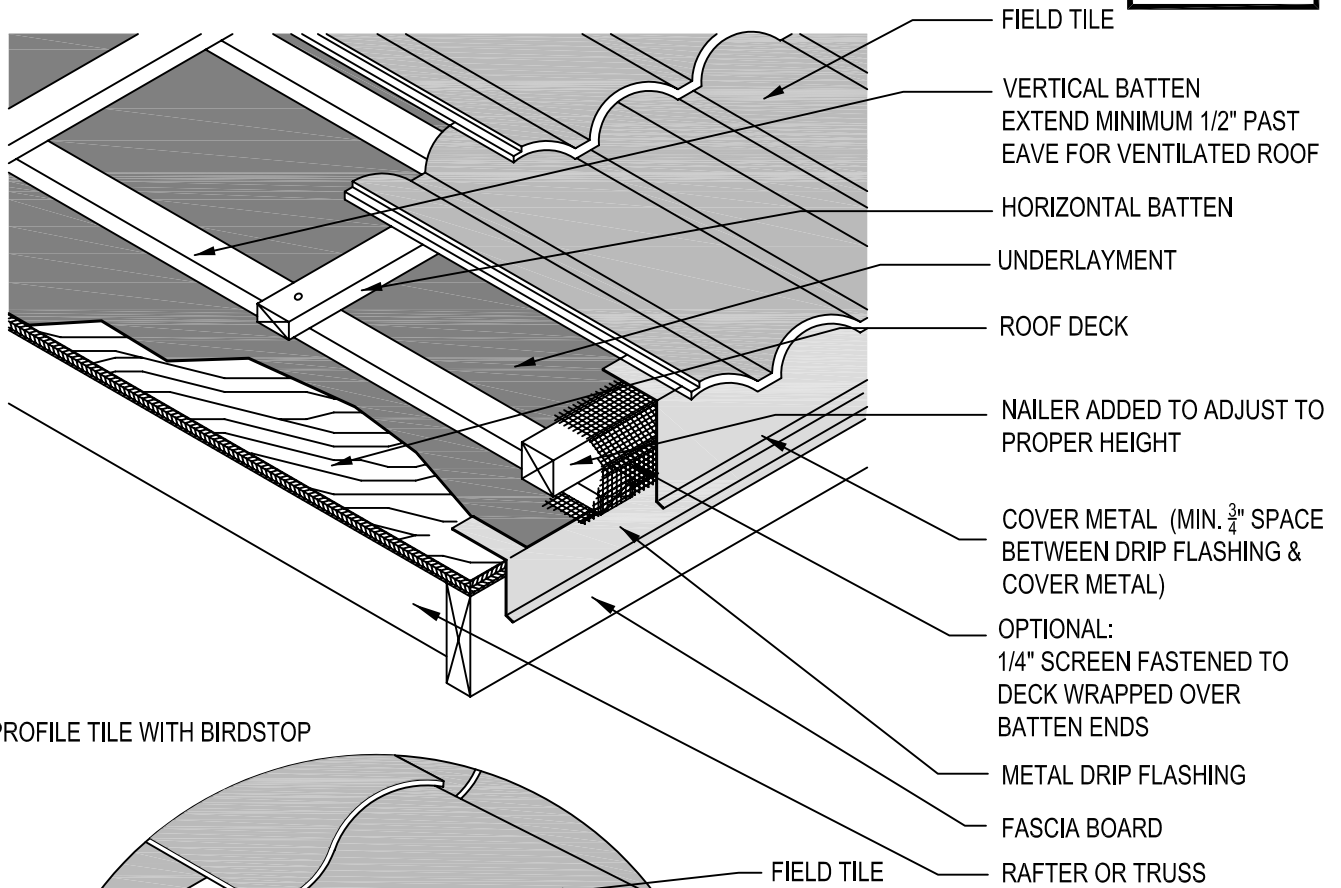
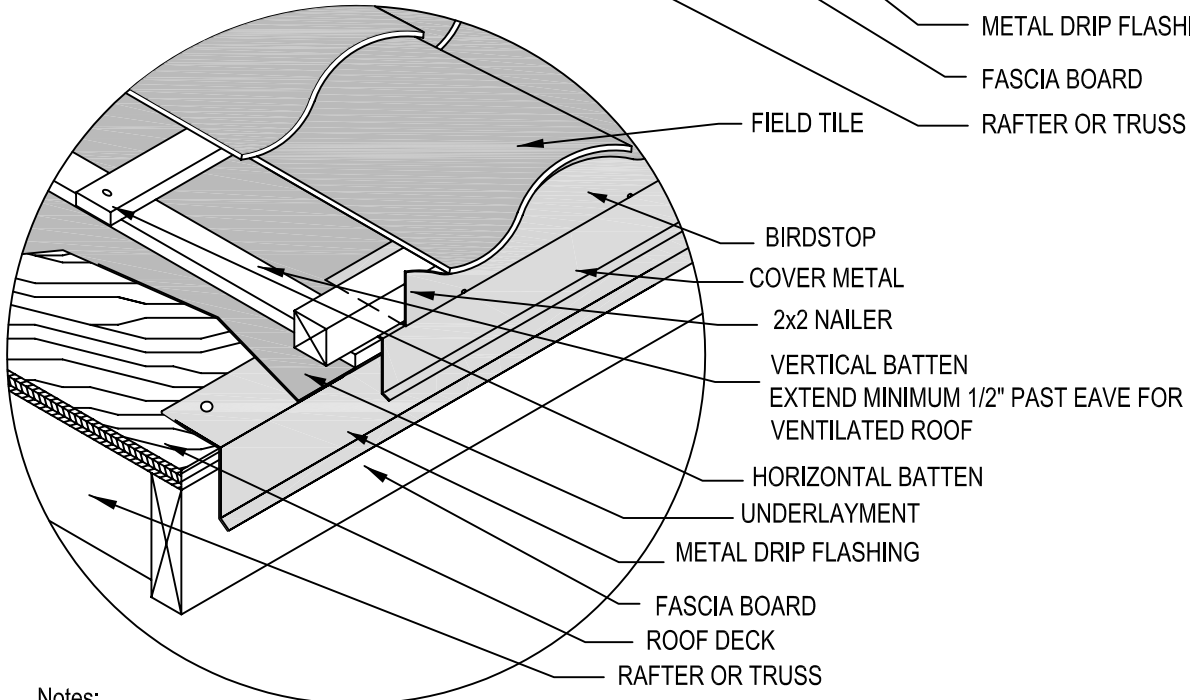


LOW SLOPE / VENTILATED ROOF EAVE DETAIL

MC-10C



HIGH PROFILE TILE WITH BIRDSTOP



Notes:

1. Provide one layer of No. 30 asphalt-saturated felt complying with ASTM D-226 Type II (ASTM D4869 Type IV) as minimum underlayment on all tile roof applications. Other underlayments as approved by local building officials will be allowed.
2. A sheet metal drip edge flashing is required with: stucco fascia, EIFS (Exterior Insulated Finish System) and flush fascia perimeter edges.
3. Eave closure shall be of height equal to combined thickness of batten system and thickness of one course of tile.
4. Dimensions shown are minimums and are intended to be approximate to allow for reasonable tolerances due to field conditions.

Drawing shown depicts the application of all tile profiles. Unless otherwise noted it would apply to either concrete or clay tiles.