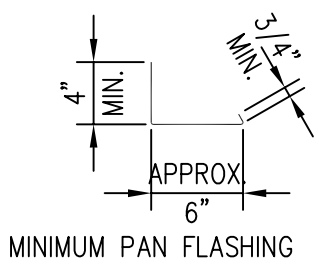
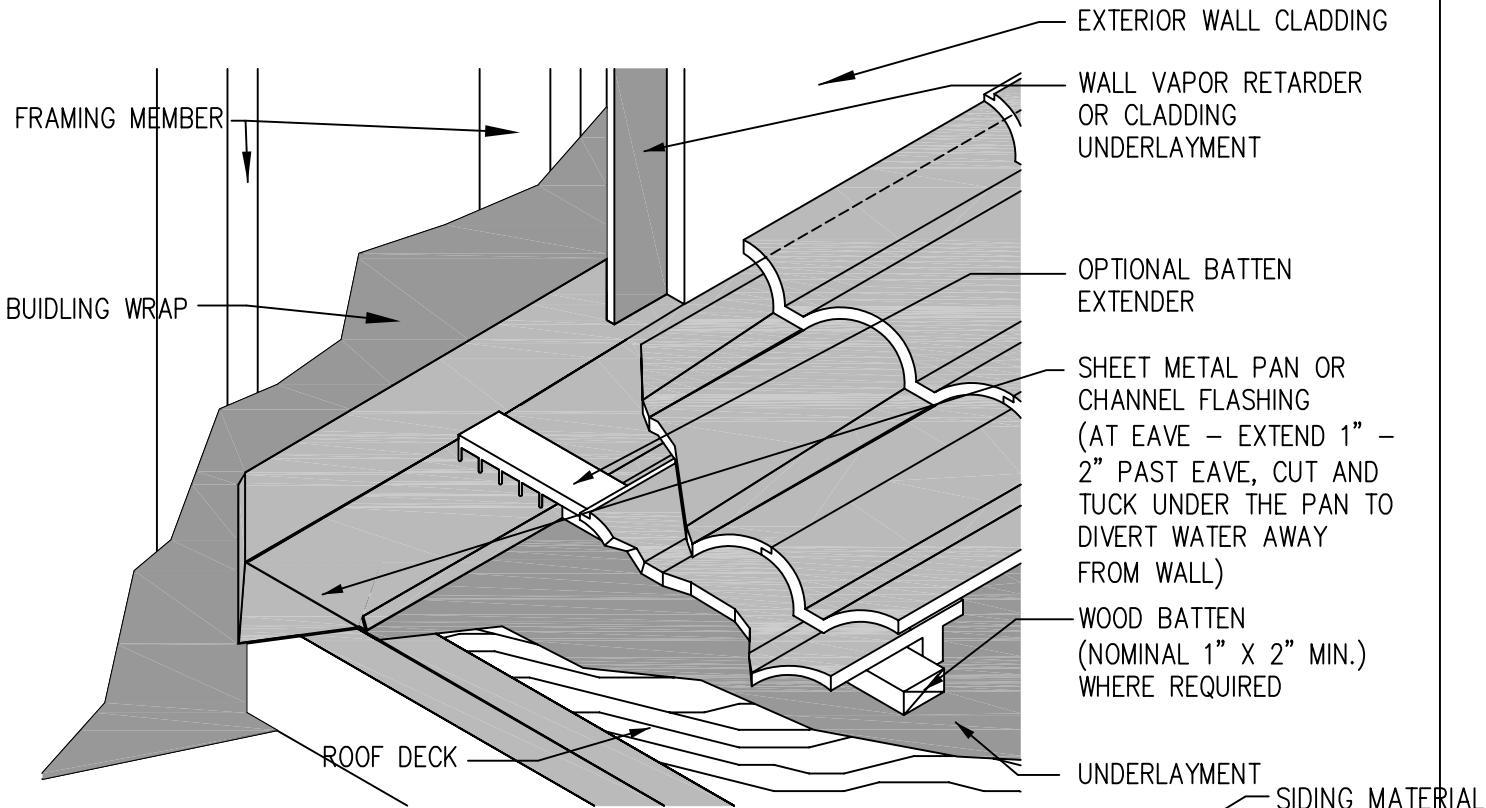


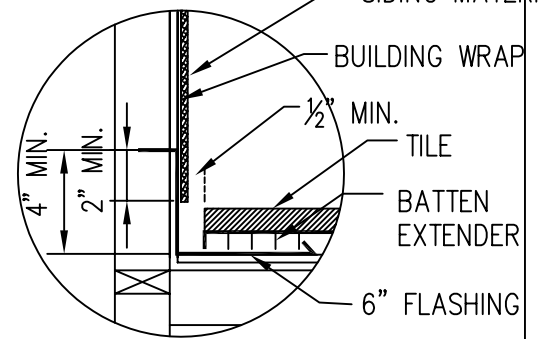
PAN FLASHING AT ROOF-TO-SIDEWALL

Where Wall Extends Past Eave

MC-12A



SEE MC-12B FOR ADDITIONAL FLASHING DESIGN INFORMATION



- Notes:
1. Provide one layer of No. 30 asphalt-saturated felt complying with ASTM D-226 Type II (ASTM D4869 Type IV) as minimum underlayment on all tile roof applications. Other underlayments as approved by local building officials will be allowed.
 2. Underlayment shall extend a minimum of 4" up vertical wood blocking or wall.
 3. Sheet metal pan flashing shall extend a minimum of 4" up the vertical wall approximately 6" out over the deck and have a minimum 3/4" return upward.
 4. Solid wood blocking is required behind pan flashing and Z-metal counterflashing.
 5. At terminating tile, cut head lugs. Use a roof tile adhesive approved by the local building officials or use wire ties or batten extender to secure tile.
 6. Dimensions shown are minimums and are intended to be approximate to allow for reasonable tolerances due to field conditions.
 7. Consideration shall be given to tributary area of roof for pan flashing design.
 8. All roof flashing shall be a minimum of No. 26 ga. G-90 galvanized.

Drawing shown depicts the application of all tile profiles. Unless otherwise noted it would apply to either concrete or clay tiles.