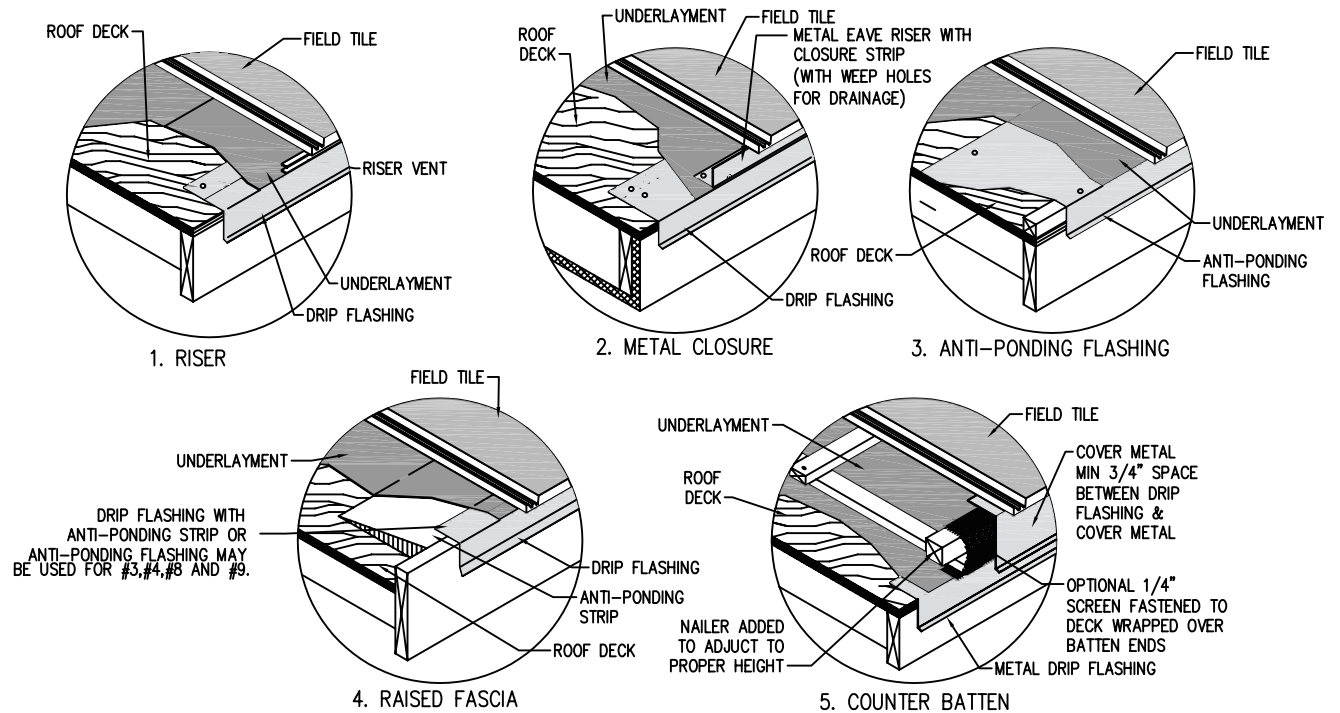


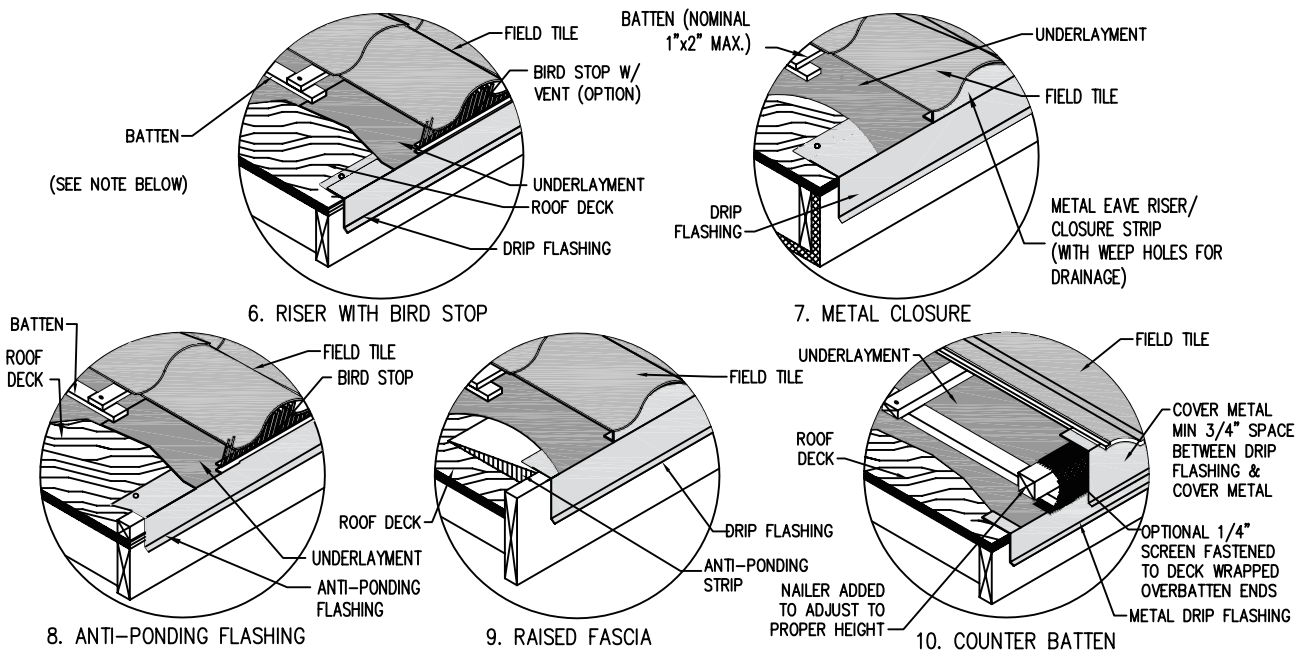
DOWN SLOPE EAVE DETAILS

MC-10A



LOW (FLAT) PROFILE TILES

MEDIUM AND HIGH PROFILE TILES



- Notes:
 - Bird stop is required on High profile tile and optional on Low and Medium profile tile unless required by local building officials.
 - Bird stop may be either solid or vented

DRAWING SHOWN DEPICTS THE APPLICATION OF ALL TILE PROFILES. UNLESS OTHERWISE NOTED IT WOULD APPLY TO EITHER CONCRETE OR CLAY TILES.

Copyright© Tile Roofing Institute/WSRCA
ICC-ES ESR-2015 01/2002, revised 04/2006

USA Owned. USA Made.
www.eagleroofing.com

