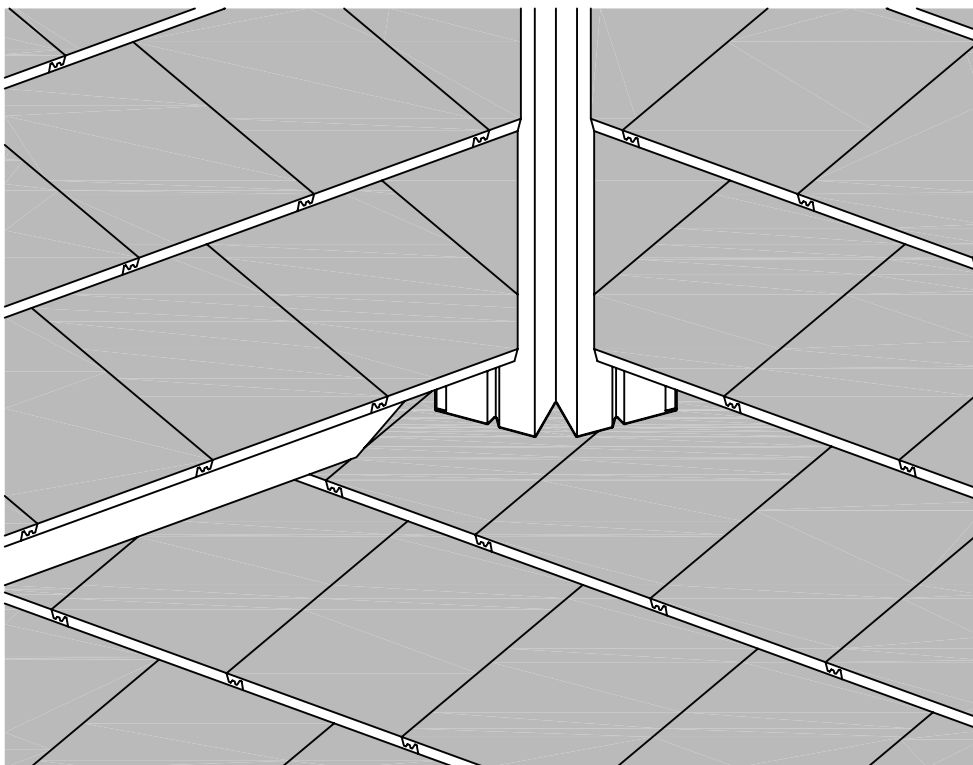
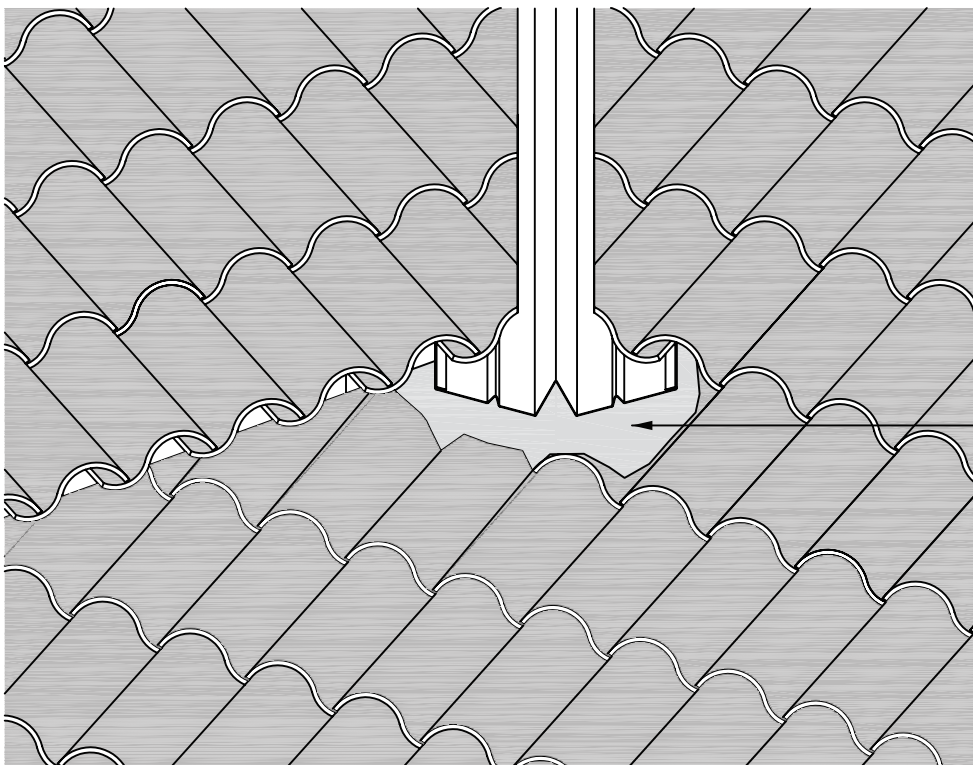


# VALLEY TRANSITIONS

MC-17C



THE VALLEY MUST LAP  
ONTO THE TILE OF THE  
COURSE BELOW THE  
ROOF TRANSITION



THE VALLEY MUST LAP  
ONTO THE TILE OF THE  
COURSE BELOW THE  
ROOF TRANSITION

LEAD SOAKER OR OTHER  
MALLEABLE METAL SHOULD  
BE USED TO FORM A  
WATER-TIGHT TRANSITION

DRAWING SHOWN DEPICTS THE APPLICATION OF ALL TILE PROFILES. UNLESS OTHERWISE NOTED IT WOULD APPLY TO EITHER CONCRETE OR CLAY TILES.

Copyright© Tile Roofing Institute/WSRCA  
ICC-ES ESR-15 01/2002, revised 04/2006

USA Owned. USA Made.  
[www.eagleroofing.com](http://www.eagleroofing.com)

