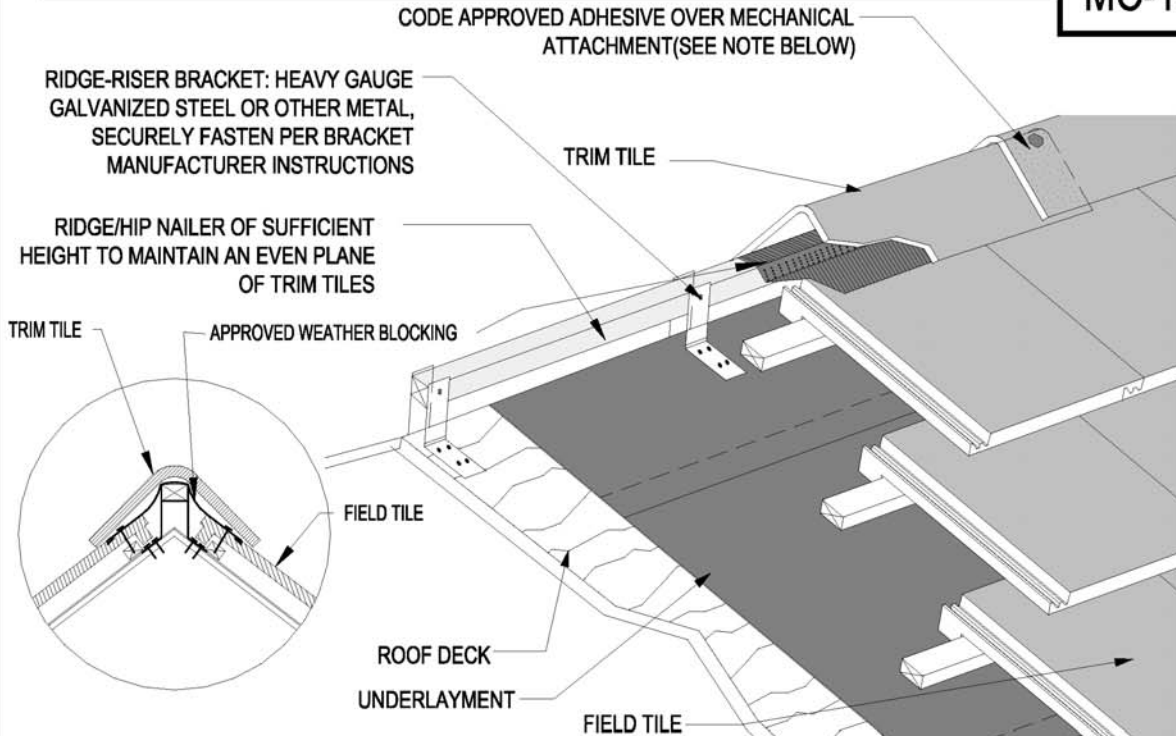


HIP AND RIDGE (Optional Method)

MC-18

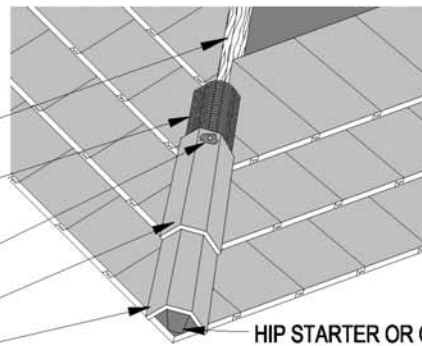


Openings at hips, ridges and head walls including chimneys, skylights, solar panels, and downslope horizontal abutments shall be fitted with weather blocking material to keep water on the surface of the field tile. Other methods approved by local building official will be allowed. Wrapping of nailer board is optional except with the use of mortar. (All tile profiles)

Notes:

1. For recommended underlayment and fastening requirement, see Table 1A and 1B.
2. All hip and ridge tile are required to have a code approved adhesive between laps of trim tile to cover nail hole and create a bond between trim tiles.
3. Tiles to be cut in a manner to properly conform to the method of weatherblocking material used.
4. Battens for tiles with protruding anchor lugs are optional for slopes between 3:12 and 7:12. Direct deck attachment of tile as approved by local building official is allowed.
5. Dimension shown are minimums and are intended to be approximate to allow for reasonable tolerance due to field conditions, and area practices.
6. Orientation and termination of ridge trim tiles may vary.

HIP BOARD OR NAILER
 HIPS TO BE SEALED WITH UV RESISTANT MATERIAL, MORTAR, ROOF CEMENT, PREFORMED PLASTIC OR SELF-ADHERING FLASHING WHERE TILE MEETS HIP BOARD
 ROOFERS CEMENT OR TILE ADHESIVE MUST BE APPLIED AT HEADLAP TO COVER NAIL HOLE
 PROVIDE MINIMUM 2" HEADLAP
 HOLD BACK HIP NAILER APPROX. 6" FROM EAVE EDGE



Drawing shown depicts the application of all tile profiles. Unless otherwise noted it would apply to either concrete or clay tiles.