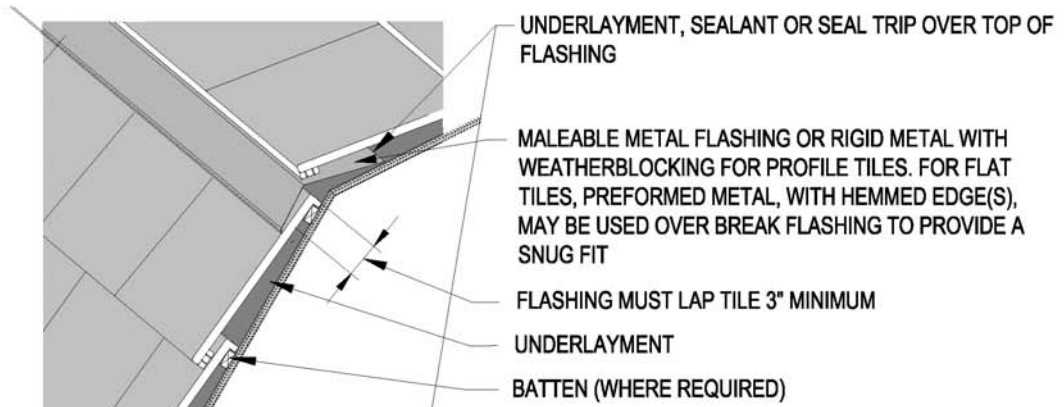
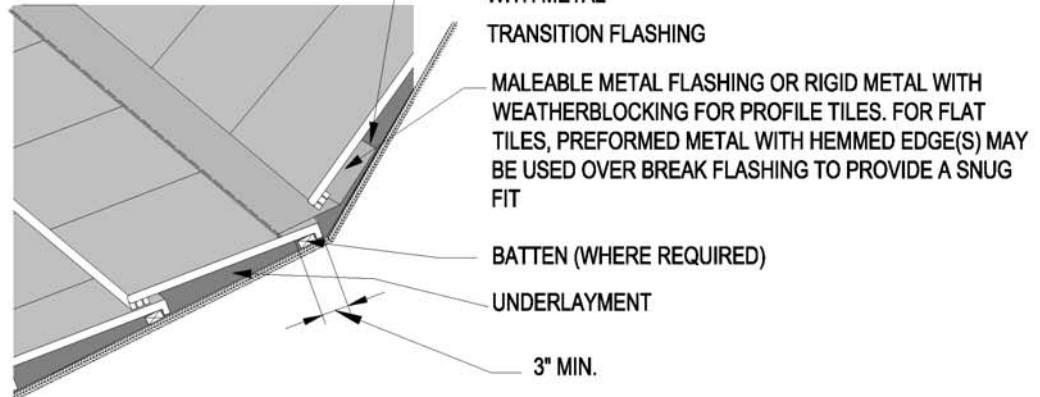


SLOPE CHANGE APPLICATIONS

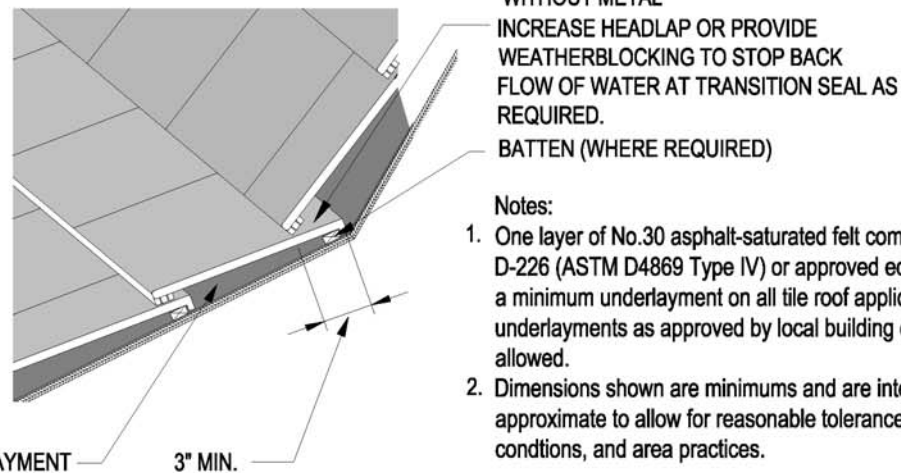
MC-22



**OPTION 1
WITH METAL**



**OPTION 2
WITHOUT METAL**



Notes:

1. One layer of No.30 asphalt-saturated felt complying with ASTM D-226 (ASTM D4869 Type IV) or approved equal is required as a minimum underlayment on all tile roof applications. Other underlayments as approved by local building officials will be allowed.
2. Dimensions shown are minimums and are intended to be approximate to allow for reasonable tolerances due to field conditions, and area practices.

Drawing shown depicts the application of all tile profiles. Unless otherwise noted it would apply to either concrete or clay tiles.

Appendix A