

*Southern California*  
**Lightweight/Reroof**



*USA Owned. USA Made.*





Estate  
LHE 8773 Walnut Creek Blend



# Table of Contents

- Benefits Of A Tile Roof .....4
- Tile Selection Reference & Sampling.....6
- Cool Roofing Benefits & Reference.....7
- Malibu .....8
- Capistrano.....10
- Estate .....12
- Bel Air.....13
- Golden Eagle .....14
- Ponderosa .....16
- Energy Saving Roof Solution.....18
- Eagle Roof Accessories.....20
- Reroofing Considerations .....22
- Choose Eagle Roofing Products .....24
- Eagle Solar Roofs .....25
- Eagle Design Centers .....26
- Helpful Tips, Installation, Legal .....27

*Eagle is proud to be affiliated with these organizations:*

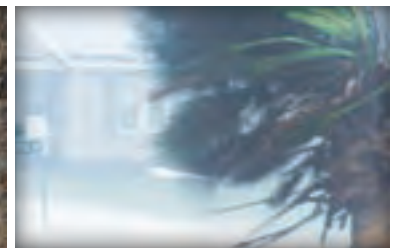


# Tile Roofs Rise Above With Value, Durability And Beauty.

*Eagle concrete tile roofs are as beautiful as they are durable. The available styles and colors help enhance any architecture, resulting in curb appeal that is simply not available with other roofing materials. Whether your interest is durability, color selection or energy efficiency, Eagle has a tile roof to suit your needs.*

## **Affordability**

A tile roof is one of the best ways to protect and beautify your home and is one of the longest-lasting roofing products you can buy. Unlike some other roofing materials, concrete tile is engineered to last for the life of the structure, giving it one of the lowest lifecycle costs of any roofing material. It's important to take this lifecycle cost into consideration, as the cost of a tile roof is quite affordable when compared to other materials.



## **Protection From The Elements**

Tile has been around for centuries in some of the world's most inclement climates. And all of Eagle's roofing products have been thoroughly tested to provide superior performance and reliability. So your properly installed Eagle tile roof can withstand rain, snow, high wind and scorching heat, and provide years of worry-free performance.

- All Eagle roof tile is Class A fire rated.
- Eagle roof tile exceeds current seismic load requirements.

## **Reduced Insurance Costs**

If you live in a region prone to fire or hail, an Eagle tile roof may even provide a reduction in your insurance premiums. Check with your local insurance company for more details.

## **Lifetime Transferable Warranty**

While you own your home, it is protected by Eagle's industry-best Lifetime Transferable Limited Product Warranty.\*\*\* And when it comes time to sell, the warranty is transferable to the new owner.



### ***Green From The Inside Out***

Tile is an inherently green product, made from locally sourced materials and manufactured with the most advanced equipment and processes available.

- 65% of Eaglelite is composed of pre-consumer recycled content and environmentally friendly materials.
- Tile can be crushed and reintroduced into the manufacturing process, or reused for other applications – reducing the impact on landfills.
- Eagle roof tile can help to lower energy costs by reducing heat transfer through air circulation under the tile and because of concrete's inherent insulating properties.
- Most Eagle Lightweight tile is Cool Roof Rated and compliant to green building requirements. They will also provide increased energy performance for your home.\*\*



*Ponderosa  
302 Arcadia*

### ***Unmatched Beauty And Curb Appeal***

Our products emulate historic roofing materials such as wood shake, clay and slate—but are much more affordable alternatives. Eagle offers a wide array of colors and styles designed to enhance any architectural style. Not only does your home benefit from improved energy efficiency and durability, it will enhance your curb appeal and resale value.

## ***Discover Eagle. Discover American Made Quality.***

*We invite you to explore the styles and colors of Eagle products in this brochure, and we hope you will make Eagle your company of choice. We will do everything in our power to ensure that you become another satisfied Eagle customer.*

\*\*Actual savings will vary based on geographic location, installation methods and building characteristics.

\*\*\*Warranty must be properly registered.

# An Eagle Tile Roof. The Choice Is Easy.

## Eagle Profiles

Choose From A Variety Of Profiles Designed To Complement Any Architectural Style



Malibu



Capistrano



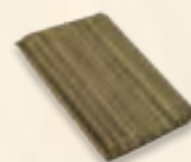
Estate



Bel Air



Golden Eagle



Ponderosa

## Eagle Colors

Designer Series Colors – Uniquely Designed Color Palettes

For a roof with a distinctive look, choose from these color intense palettes that boast our most sophisticated blends. Our unique Designer Series colors will be designated by these logos within each profile section.



American Heirloom



Camino Real



Cityscapes

## Eagle Star Price Category Reference

Throughout the product sections, you will see our star rating designations with each product. This has been developed to assist in your budgeting process. A single star denotes the most economical choice, while four stars represents our richest blends and color schemes.

★ **Malibu & Capistrano** – All colors.

★★★ **Golden Eagle** – All colors.

★★ **Bel Air & Ponderosa** – All colors.

★★★★ **Designer Series Colors & Artisan** – Eagle's most sophisticated and unique color options.

## Choose An Eagle Concrete Tile Roof

We are confident you will find a tile roof to be your ideal choice for durability, energy-efficiency and beauty. Here are a few considerations to keep in mind when planning for your new tile roof:

**Color & style choice** – We recommend you make your final color selections from a current, full size tile sample, as colors can appear different in printed materials and online.

**How to obtain a tile sample** – You can visit our website or contact your local Design Center or Eagle Sales Representative. See this brochure or our website for locations near you.

**See the product installed** – Your local Design Center or Eagle Sales Representative is glad to provide you with local addresses to view installations of your profile/color choices.



# Is Your Roof Cool?

Cool Roof Rated products are listed with the Cool Roof Rating Council ([www.coolroofs.org](http://www.coolroofs.org)) and have been tested and approved as highly reflective. Eagle offers many different colors and profiles of Cool Roofing options, which can help reduce your energy costs by 10-30 percent. They also have environmental benefits as well, by reducing global warming and urban heat island effects, smog and the production of CO<sub>2</sub>.

## Here's How It Works:

A cool roof reflects and emits the sun's energy as light back to the sky, rather than transferring it to the building below it as heat. Therefore, a tile's "coolness" is measured by two properties:

**Solar Reflectance** – Fraction of sun energy reflected by roof (0-100%).

**Thermal Emittance** – Ability of roof surface to radiate (emit) absorbed heat (0-100%).

Both of these are measured from 0 to 1; so the higher the value the "cooler" the roof tile.

The recognition of the benefits are becoming more widespread and have been adopted by building codes and green building programs across the nation. You will see the following referenced for each of our Cool Roof colors throughout our brochure:

## Cool Roof Rating Council, Energy Star and LEED

These ratings establish guidelines to measure and qualify roofing materials to industry green and energy standards and programs. The ratings are found under the product panel shots.

**Ref = Reflectance** – Fraction of sun energy reflected by roof (0-100%).

**Emi = Emittance** – Ability of roof surface to radiate (emit) absorbed heat (0-100%).

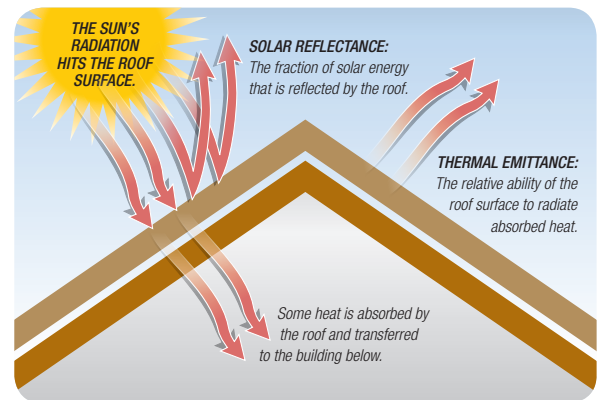
**SRI = Solar Reflectance Index** – Measure incorporating reflectance & emittance into a single value.

**A-Ref = Aged Reflectance** – Three year calculated (CEC) value.

**A-Emi = Aged Emittance** – Three year tested. **Red values indicate tiles after a 3-year testing.**

**A-SRI = Aged Solar Reflectance Index** – Measure incorporating aged reflectance & emittance into a single value.

**CRRC # = Product listing ID** – Cool Roof Rating Council Product Identification number.

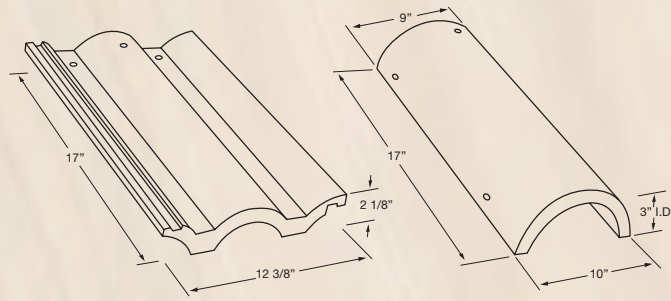


*“According to the EPA, about \$40 billion is spent annually in the US to air condition buildings – one-sixth of all electricity generated in a year! ENERGY STAR qualified roof products reduce the amount of air conditioning needed in buildings and can reduce energy bills by up to 50%.”*

Source: [www.energystar.gov](http://www.energystar.gov)

# Malibu

- 88 Tiles per 100 sq ft with 3" headlap
- 550 Aprox installed weight field tile per 100 sq ft



See our complementary accessories on page 20



Malibu  
445 Sunrise Blend



## Artisan Series




**LAM 2707 Sabino Canyon** ★★★★★  
*Purple, Cream, Dark Brown Streaks*  
 Ref Emi SRI A.Ref A.SRI CRRC:   
 .19 .89 17 .19 17 0918-0082





*Malibu*  
**426 Valencia**



**402 Calabar Blend** ★  
*Medium Brown, Rust Blend, Yellow Streaks*  
 Ref Emi SRI A.Ref A.SRI CRRC:   
 .18 .88 15 .19 17 0918-0063




**418 Terracotta Gold – Color Bonded\*** ★  
*Terracotta, Gold Flashed*  
**LEED†**  
 Ref Emi SRI A.Ref A.Emi A.SRI CRRC:    
 .35 .76 32 .38 .88 42 0918-0002




**426 Valencia** ★  
*Red Orange, Brown Streaks*  
 Ref Emi SRI A.Ref A.SRI CRRC:   
 .19 .89 17 .19 17 0918-0053





**445 Sunrise Blend** ★  
*Terracotta, Brown Blend*  
 Ref Emi SRI A.Ref A.SRI CRRC:   
 .15 .93 14 .17 17 0918-0030



**455 Alhambra** ★  
*Terracotta, Yellow Streaks*  
 Ref Emi SRI A.Ref A.SRI CRRC:   
 .22 .89 21 .21 20 0918-0054

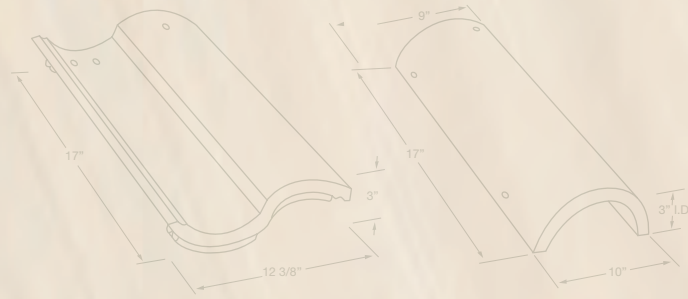


**498 Kona Red Range** ★  
*Red Range*  
 Ref Emi SRI A.Ref A.Emi A.SRI CRRC:    
 .25 .83 22 .27 .90 28 0918-0018

# Capistrano

88.5 Tiles per 100 sq ft  
with 3" headlap

570 Aprox installed weight  
field tile per 100 sq ft



See our complementary accessories on page 20



## Artisan Series



LAC 3706 Grand Canyon  
Terracotta, Cream, Brown Streaks  
Ref Emi SRI A.Ref A.SRI  
.32 .87 33 .28 28

★★★★

CRRC:  
0918-0077



LAC 3707 Sabino Canyon  
Purple, Cream, Dark Brown Streaks  
Ref Emi SRI A.Ref A.SRI  
.19 .89 17 .19 17

★★★★

CRRC:  
0918-0082







*American Heirloom*



LHC 8710 Ladera Blend ★★★★★  
 Tan, Gray, Orange, Dark Brown Blend  
 Ref Emi SRI A.Ref A.SRI CRRC:  
 .18 .89 16 .19 17 0918-0052



*Capistrano*  
**LHC 8710 Ladera Blend**



*Camino Real*



LMC 8402 Santa Cruz ★★★★★  
 Tan, Reddish Brown, Brown Blend  
 Ref Emi SRI A.Ref A.SRI CRRC:  
 .14 .89 11 .16 13 0918-0058

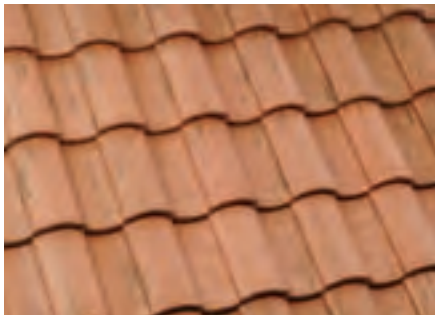


502 Calabar Blend ★  
 Medium Brown, Rust Blend, Yellow Streaks  
 Ref Emi SRI A.Ref A.SRI CRRC:  
 .18 .88 15 .19 17 0918-0063



518 Terracotta Gold – Color Bonded\* ★  
 Terracotta, Gold Flashed  
 Ref Emi SRI A.Ref A.Emi A.SRI CRRC:  
 .35 .76 32 .38 .88 42 0918-0002

LEED†



526 Valencia ★  
 Red Orange, Brown Streaks  
 Ref Emi SRI A.Ref A.SRI CRRC:  
 .19 .89 17 .19 17 0918-0053



545 Sunrise Blend ★  
 Terracotta, Brown Blend  
 Ref Emi SRI A.Ref A.SRI CRRC:  
 .15 .93 14 .17 17 0918-0030

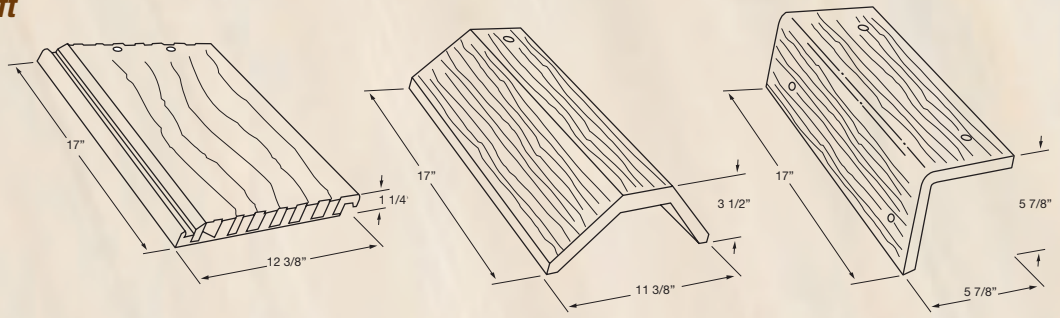


598 Kona Red Range ★  
 Red Range  
 Ref Emi SRI A.Ref A.Emi A.SRI CRRC:  
 .25 .83 22 .27 .90 28 0918-0018

# Estate

88.5 Tiles per 100 sq ft with 3" headlap

700 Aprox installed weight field tile per 100 sq ft



See our complementary accessories on page 20




American Heirloom




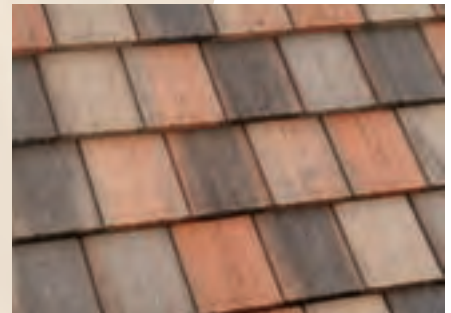
Estate - Staggered  
LHE 8715 Roanoke Blend



LHE 8704 Lehigh Blend ★★★  
Natural Gray, Light Gray, Charcoal Blend  
Ref Emi SRI A.Ref A.SRI  
.13 .94 12 .15 15  
CRRC: 0918-0046 



LHE 8715 Roanoke Blend ★★★  
Light Gray, Dark Gray, Gold, Taupe Blend  
Ref Emi SRI A.Ref A.SRI  
.17 .89 15 .18 16  
CRRC: 0918-0081 

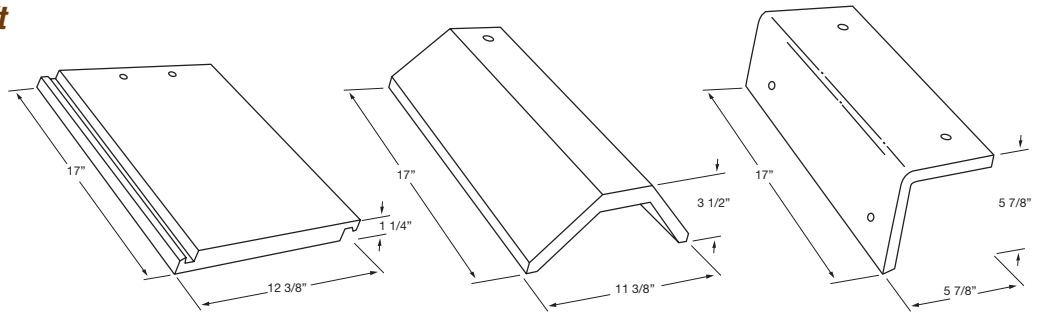


LHE 8773 Walnut Creek Blend ★★★  
Gray, Tan, Orange, Dark Brown Blend  
Ref Emi SRI A.Ref A.SRI  
.20 .94 21 .20 21  
CRRC: 0918-0037 

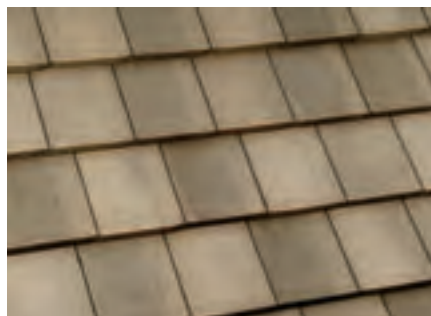



**88.5 Tiles per 100 sq ft with 3" headlap**

**700 Aprox installed weight field tile per 100 sq ft**




**206 BL Vallejo Range** ★★  
*Dark Purple Range*  
 Ref Emi SRI A.Ref A.SRI CRRC:   
 .15 .92 14 .17 16 0918-0048



**287 Brown Gray Range** ★★  
*Brown, Gray Range*  
 Ref Emi SRI A.Ref A.SRI CRRC:   
 .13 .91 11 .15 13 0918-0028



**241 GR Classic Sage Range** ★★  
*Green Range*  
 Ref Emi SRI A.Ref A.SRI CRRC:   
 .13 .89 10 .15 12 0918-0086



**297 Slate Range** ★★  
*Charcoal Range*  
 Ref Emi SRI A.Ref A.SRI CRRC:   
 .13 .94 12 .15 15 0918-0046

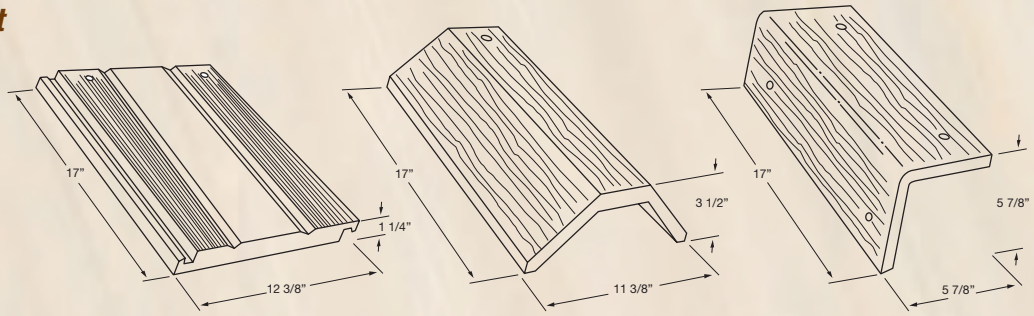


**Bel Air - Staggered 297 Slate Range**

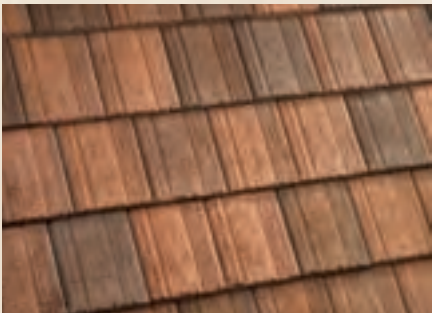
# Golden Eagle

88.5 Tiles per 100 sq ft  
with 3" headlap

700 Aprox installed  
weight field tile  
per 100 sq ft



Golden Eagle  
187 Brown Gray Range



145 Sunrise Blend  
Terracotta, Brown Blend  
Ref Emi SRI A.Ref A.SRI  
.15 .93 14 .17 17

CRRC:  
0918-0030



187 Brown Gray Range  
Brown, Gray Range  
Ref Emi SRI A.Ref A.SRI  
.13 .91 11 .15 13

CRRC:  
0918-0028



199 Charcoal Range  
Gray Range  
Ref Emi SRI A.Ref A.SRI  
.13 .94 12 .15 15

CRRC:  
0918-0046







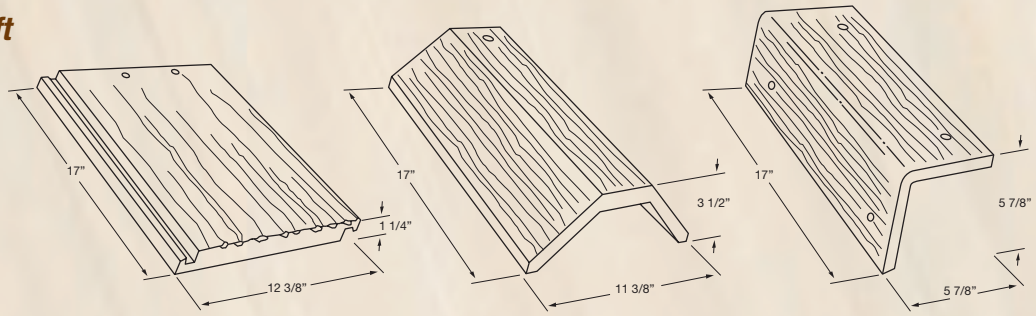
**Golden Eagle**  
**199 Charcoal Range**



# Ponderosa

88.5 Tiles per 100 sq ft  
with 3" headlap

700 Aprox installed  
weight field tile  
per 100 sq ft



See our complementary accessories on page 20



**Ponderosa**  
**LHP 8707 Sierra Blend**





*American Heirloom*



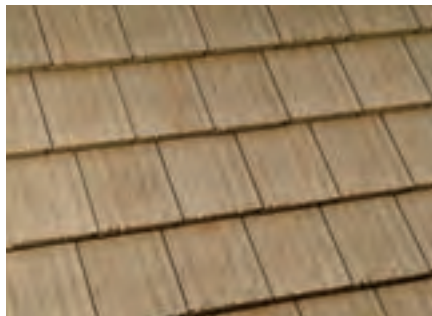
LHP 8706 Cascade Blend ★★★★★  
*Tan, Dark Brown Blend*  
 Ref Emi SRI A.Ref A.SRI CRRC:   
 .14 .90 11 .16 14 0918-0064




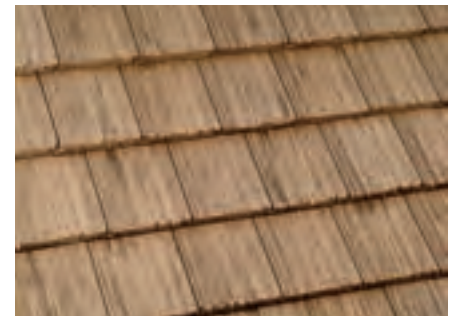
LHP 8707 Sierra Blend ★★★★★  
*Tan, Dark Brown, Reddish Brown Blend*  
 Ref Emi SRI A.Ref A.SRI CRRC:   
 .14 .90 11 .16 14 0918-0070



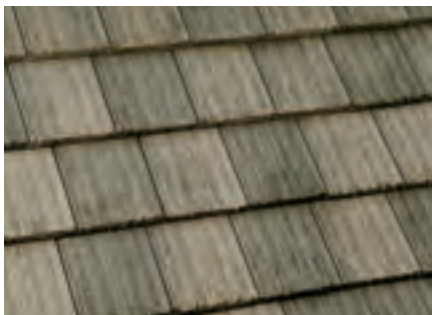
302 Arcadia ★★  
*Brown, Black Streaks*  
 Ref Emi SRI A.Ref A.SRI CRRC:   
 .13 .94 12 .15 15 0918-0043




331 Oro Valley ★★  
*Tan, Terracotta Streaks*  
 Ref Emi SRI A.Ref A.SRI CRRC:   
 .15 .91 13 .17 15 0918-0059



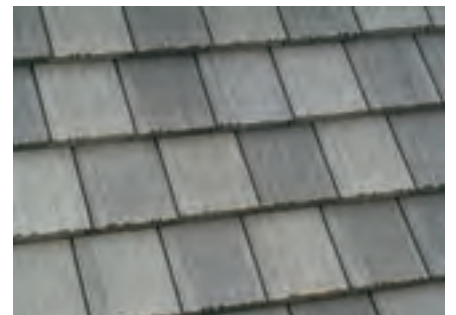
357 Live Oak ★★  
*Rosy Brown, Dark Brown Streaks*  
 Ref Emi SRI A.Ref A.SRI CRRC:   
 .15 .90 13 .17 15 0918-0061



387 Brown Gray Range ★★  
*Brown, Gray Range*  
 Ref Emi SRI A.Ref A.SRI CRRC:   
 .13 .91 11 .15 13 0918-0028



390 Pewter Bronze Blend ★★  
*Pewter Gray, Gold Blend*  
 Ref Emi SRI A.Ref A.SRI CRRC:   
 .15 .90 13 .17 15 0918-0060



399 Charcoal Range ★★  
*Gray Range*  
 Ref Emi SRI A.Ref A.SRI CRRC:   
 .13 .94 12 .15 15 0918-0046

# Higher Performance. Lower Energy Costs.



**1 Eave**  
*Air enters at the eave*

**2 Deck**  
*Air travels under the tile*

**3 Ridge & Hip**  
*Air is exhausted at the ridge*



# Save Money With Eagle's Energy Saving Roof.

*Your roof can do more than just beautify the structure it protects. When you use these simple Eagle Roofing Accessories, you will increase the performance, longevity and efficiency of your new roof.*

The Energy Saving Roof combines the inherent insulating properties of our concrete tile with an installation method utilizing several Eagle accessory products to install the roof in an energy efficient manner.

**This installation creates an air current that draws cool air in at the eave level (1), flowing under the tile roof (2), driving out the hot air at the ridge (3).**

This ventilation of the roof deck helps to reduce heat transfer into your attic and thus into your home. The result means less work for the air conditioner, less expenditure of energy and lower electrical bills.

## The 4 Main Components Of Eagle's Energy Saving Roof Are:

1



### Ventilated Eave Closures

In addition to elevating the eave course and helping to prevent bird nesting, the Ventilated Bird Stop design allows for air to enter the space between the tile and the roof deck. Available in all profiles.

2



### Scalloped Battens

Use battens when installing tile to raise it off the roof deck, which improves air flow and allows water to drain. This keeps moisture from accumulating on your roof deck, which can damage your underlayment.

3



**Flex Vent** Adds ventilation at the ridge of your roof so hot air can escape from the roof deck.

**Flex Seal** This weather block helps prevent water intrusion at the ridge.

**Flex Flash** Ideal for hard to manage areas.

3



### Ridge Riser

This will be used to increase ventilation at the ridge of your roof, and can be used with any tile profile.

## Research Studies Show the Energy Saving Roof Helps Prevent Heat Transfer

According to Dr. Miller of Oak Ridge National Laboratories, a 1995 study by Beal and Chandra essentially showed:

- A 48% reduction in heat transfer into the attic with tile roofs installed using ASV (above sheathing ventilation like the Energy Saving Roof) when compared to a direct nailed asphalt shingle roof.
- A 39% reduction of heat transfer into the attic in comparing concrete tile and asphalt shingles when both products were installed in a direct deck application.

This means that an Eagle Energy Saving Roof can reduce heat transfer into the attic by almost 50% when compared to an asphalt shingle roof. The result is a significant reduction in the amount of energy required to cool a structure, and that results in lower electricity bills for the owner.

# Tile Roof Accessories

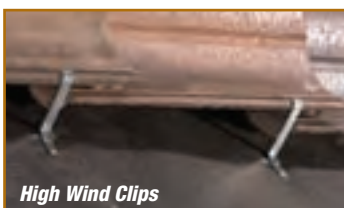
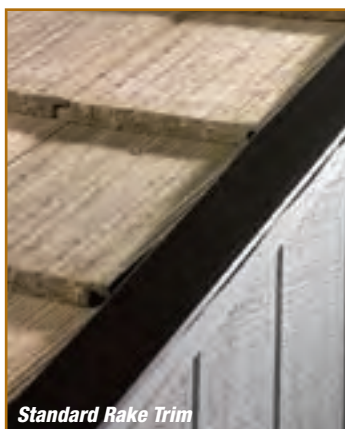
## 1 Eave



### Bird Stop/Raised Ventilated Eave Riser – Approx. 10' Per Section

Capistrano - Bird Stop - Red	7000 E
Capistrano - Bird Stop - Black	7010 E
Capistrano - Bird Stop - White (SPECIAL ORDER ONLY)	7005 E
Capistrano - Bird Stop - Ventilated - Red	7500
Capistrano - Bird Stop - Ventilated - Black	7510
Capistrano - Bird Stop - Raised Ventilated - Red	7501
Capistrano - Bird Stop - Raised Ventilated - Black	7511
Malibu - Bird Stop - Red	7020 E
Malibu - Bird Stop - Black	7030 E
Malibu - Bird Stop - Ventilated - Red	7520
Malibu - Bird Stop - Ventilated - Black	7530
Malibu - Bird Stop - Raised Ventilated - Red	7521
Malibu - Bird Stop - Raised Ventilated - Black	7531
Flat - Eave Riser - Black, 1 1/2"	7080 E
Flat - Eave Riser - Brown, 1 1/2"	7060 E
Flat - Eave Riser - White, 1 1/2" (SPECIAL ORDER ONLY)	7083 E
Flat - Eave Riser - Ventilated - Brown	7560
Flat - Eave Riser - Ventilated - Black	7590
Flat - Eave Riser - Raised Ventilated - Brown, 2"x2"	7561
Flat - Eave Riser - Raised Ventilated - Black, 2"x2"	7591

## 2 Deck



### Raised Battens – 1 Square Per Bundle

Scalloped Battens	8617
The Riser, 12" on center - Polypropylene	8612

### High Wind Clips, Galvanized – Approx. 500 Per Box

Capistrano, 3 3/8"	6036
Malibu, 2 7/8"	6034
Flat, 2 1/4"	6037
Flat-Fascia, 3/4"	6033

### Metal Rake Trim, Galvanized – Approx. 10' Per Section

Standard Rake - Black	7092 E
Standard Rake - Brown	7089 E
Raised Rake, 1 1/2" - Black	7087 E
Raised Rake, 1 1/2" - Brown	7086 E



### 3 Ridge & Hip



**Flex Vent**



**Flex Seal**



**Flex Flash**



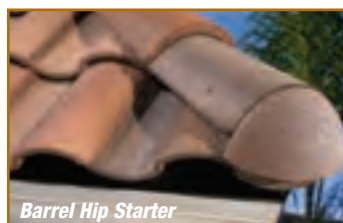
**Weather Block**



**Ridge Riser**



**Flat Hip Starter**



**Barrel Hip Starter**

#### **Flex Vent – 25' Per Roll**

Flat - Flex Vent, 9" Width - Terracotta	8109
Flat - Flex Vent, 9" Width - Black	8110
Malibu - Flex Vent, 13" Width - Terracotta	8113
Malibu - Flex Vent, 13" Width - Black	8114
Capistrano - Flex Vent, 15" Width - Terracotta	8115
Capistrano - Flex Vent, 15" Width - Black	8116

#### **Flex Seal – 25' Per Roll**

Flat - Flex Seal, 9" Width - Terracotta	8119
Flat - Flex Seal, 9" Width - Black	8120
Flat / Malibu - Flex Seal, 11" Width - Terracotta	8121
Flat / Malibu - Flex Seal, 11" Width - Black	8122
Malibu - Flex Seal, 13" Width - Terracotta	8123
Malibu - Flex Seal, 13" Width - Black	8124
Capistrano - Flex Seal, 15" Width - Terracotta	8125
Capistrano - Flex Seal, 15" Width - Black	8126

#### **Flex Flash – 15' Per Roll**

Flat - Flex Flash, 9" Width - Terracotta	8127
Flat - Flex Flash, 9" Width - Black	8128
Flat / Malibu - Flex Flash, 11" Width - Terracotta	8111
Flat / Malibu - Flex Flash, 11" Width - Black	8112
Malibu - Flex Flash, 13" Width - Terracotta	8129
Malibu - Flex Flash, 13" Width - Black	8130
Capistrano - Flex Flash, 15 3/4" Width - Terracotta	8153
Capistrano - Flex Flash, 15 3/4" Width - Black	8154
Capistrano - Flex Flash, 17 3/4" Width - Terracotta	8117
Capistrano - Flex Flash, 17 3/4" Width - Black	8118

#### **Weatherblock – Approx. 10' per section**

Capistrano - Black	7012 E
Capistrano - Red	7013 E

#### **Hip & Ridge – Sold Individually**

Ridge Riser - Galvanized	8201
--------------------------	------

#### **Concrete Hip Starters – Packaged 2 per box\*\*\***

Flat / Flat Brushed - tan	7063 / 7063B
Flat / Flat Brushed - mocha	7069 / 7069B
Flat / Flat Brushed - terracotta	7071 / 7071B
Flat / Flat Brushed - charcoal	7072 / 7072B
Flat / Flat Brushed - natural gray	7073 / 7073B
Flat / Flat Brushed - red	7074 / 7074B
Flat / Flat Brushed - green	7067 / 7067B
Barrel - tan	7062
Barrel - mocha	7768
Barrel - terracotta	7076
Barrel - charcoal	7077
Barrel - natural gray	7078
Barrel - red	7079
Barrel - green	7767

\*\*\*Availability is subject to change. Errors or omissions may have occurred. Please verify with customer service.

# Reroof With Eagle.

*Regardless of why you have chosen to reroof your home, Eagle understands it can be challenging to build or replace a roof. We want to be your roofing company of choice and hope this information familiarizes you with the process and helps ensure a successful reroofing project.*

## **Research And Select A Roofing Material**

When considering choices for your reroofing investment, be sure to educate yourself on the various options available. Information and samples can be obtained from the Internet, roofing/building distributors, local home shows and roofing contractors. Many contractors will be able to provide you with bids and timetables to replace your existing roof with tile.

When evaluating your reroofing options, look at the life cycle cost of the roofing material—the cost of your roof per year over its entire lifespan. You will also want to consider the durability, warranty, energy efficiency and available styles of various materials.

Lightweight reroofing products from Eagle are not only beautiful, they can last a lifetime. And they're covered by Eagle's Lifetime Transferable Limited Product Warranty. That eliminates the worry of possibly needing to reroof again in a few years and, from a financial perspective, it means the annual cost of your Eagle roof can actually be less than an asphalt roof.

Choosing an Eagle product for your roof will bring you the following benefits:

- The unmatched durability and protection of an Eagle tile.
- The excellent insulating qualities of an Eagle roof can help reduce energy costs—especially when installed with our Energy Saving Roof system.
- ENERGY STAR and Cool Roof Rating Council approved Cool Roof Tile options.
- A green roofing solution. Tile is not a petroleum-based product, and is sourced locally and produced with energy-efficient processes that utilize recycling and re-use.
- In some areas, local utilities and municipalities may offer incentives and rebates for cool roofing, green and energy-efficient roofing products.
- A multitude of styles and colors are available to beautify your home and increase its resale value and curb appeal.
- The peace of mind knowing that Eagle concrete roof tile meets Building Code requirements.
- Confidence in Eagle's A+ rating from the Better Business Bureau.

It is advisable to make your final roofing material decision after obtaining samples. At Eagle, ordering samples is just a click away on our website. You can also visit one of our local Design Centers, staffed with experienced professionals who can help educate and support you along the way. Here you can obtain samples, as well as view other exterior roofing products such as stucco and cultured stone. We can also provide you local addresses where you can see the product installed. Or if you prefer, we are glad to deliver samples of your profile and color selections to your door.

## **Select A Licensed And Insured Roofing Contractor**

Once you have established your preference for a tile, choosing a reliable and qualified roofing contractor is important to ensure your satisfaction with your new roof.

- Ask your neighbors or friends who have reroofed recently.
- Visit your local roofing distributor for a list of contractors in your area.
- Consult your architect or general contractor.
- Acquire a list of qualified professionals from the Better Business Bureau or Chamber of Commerce.
- Contact Eagle for a recommendation of a local roofer.
- Check online directories and/or Yellow Page listings.

It's very important to choose a contractor who is licensed, insured and trained in the process of installing tile products. Ask for references and clarify estimates, schedules and payment plans. It's also important to know how their crew will be managed, and that you understand how your home will be impacted during the reroofing process.

As you narrow your search, it's a good idea to get bids from up to three contractors for your project. Your ideal choice should provide you with confidence in their knowledge and ability to professionally install your new roof, and to communicate the details along the way.



## ***Reroofing Your Home***

Eagle Roofing Products offers you a variety of accessories and solar products that can be included in your installation to improve your roof's longevity, performance and energy efficiency. Be sure to ask for these to be included in your bid.

Ultimately, the installation of your roof is the responsibility of your roofing contractor. So it's important to ensure the attic is properly ventilated and the valleys, eaves and roof-to-wall intersections are properly flashed to help prevent water intrusion.

Asking your roofing contractor to purchase a small quantity of extra tile is also a good idea; so it can be used for any unexpected future repair needs. Not only will this be convenient, it will also be the closest color match to the product installed on your roof.



## ***Regular Maintenance***

Eagle manufactures all our products with quality in mind, to ensure our customers have a roof that looks as good as it performs. With basic regular maintenance, an Eagle concrete tile roof can last a lifetime.

Routine inspections are important for any roof, and any cleaning or maintenance should be done by your professional roofing contractor. For your own safety, you should not walk on your roof, and any inspections should be done visually.

Regular maintenance includes making sure your roof and gutters are clear of debris, so that water can flow off your roof and not accumulate. You can also check for any visual signs of damage or problems due to weather, like wind, rain or hail.

In some climates, a concrete tile roof may show signs of efflorescence, which is a temporary white-colored patch that can develop on the tile. This is a common chemical reaction that occurs in all concrete products—from sidewalks to roofs.

## ***Choose Eagle***

Eagle Roofing Products created its EagleLite products specifically to provide homeowners and Home Owner Association's with quality, lightweight reroofing solutions.

There are many roofing products and companies to choose from, but only Eagle Roofing Products delivers both the service, and quality you expect from a leader. Our experience and dedication is exemplified in our continued innovation in green and energy saving roofing solutions, as well as our valued and personable Eagle Roofing team.

# Eagle Roofing Products. Your Company Of Choice.

*When you choose Eagle, you're choosing American-made quality, customer-centric service, and innovative products that advance the roofing products industry while treading lightly on the planet.*

Eagle Roofing Products is a Division of Burlingame Industries, a family-owned, privately held company based in California. In addition to our original roof tile manufacturing facility in Rialto, California—the world's largest—we operate facilities in Phoenix, Arizona; Stockton, California; and Sumterville, Florida; to serve local customers with experienced local teams. These sophisticated, high volume manufacturing plants ensure timely availability of high quality products, and they help us remain knowledgeable of regional trends and needs.



## **Eagle Green**

We take our commitment to being environmentally friendly seriously, which is evident in our Eagle Green initiative. We lead all other concrete tile manufacturers with our recycling and re-use activities:

- We make a concerted effort to reduce haul-off from all of our plants when purchasing the most energy-efficient and environmentally safe equipment we can find.
- Rejected tile is crushed and re-introduced into the manufacturing process.
- Trash that cannot be recycled is compacted to reduce landfill deposits.
- Wood tile pallets are repaired and re-used whenever possible.
- Synthetic oils are used on machinery when possible due to their long life-span.
- Engine oil and filters from plant equipment are recycled.
- All Eagle tile sealers are water-based.

## **The Eagle Way**

We have grown over the years due to a philosophy that revolves around growing personal relationships. This starts with our people, and it is reflected in our relationships with our customers and our business partners. Having earned a reputation as the company of choice, we listen to our customers and react quickly to satisfy their needs. All Eagle employees are customer service representatives regardless of their job titles. From our people in the field, to our Order and Shipping departments, all the way to our Tile-Makers, each person performs with the singular goal of customer satisfaction.

Eagle's long experience in the roofing tile industry and dedication to prompt personal response to our customers' needs have resulted in a well-deserved reputation for quality and service throughout the construction community.

## **At Eagle, Innovation Comes In Many Choices**

Our product development teams never stop thinking about—or creating—what's next in roofing products. All of our products are designed to deliver exceptional value, performance and aesthetics.

Our Cool Roof and Energy Saving Roof systems are setting the standard for energy efficiency. And our Solar Roof leads the way in unmatched beauty and effectiveness.

Another recent example of Eagle's innovation is our Artisan Series. This concrete tile is made with a special process that creates random streaks in beautiful accent colors so that no two tiles look the same. The result is a rustic and distinctive clay tile appearance that will dramatically enhance any style of roof.

Of course, we also offer the latest in standard weight and lightweight concrete tile, in a myriad of colors from which to choose. As the foundation of our product offering, our concrete tile is renowned for its durability and beauty.

*Eagle is proud to be owned, operated and manufactured in the USA.*



# Eagle Solar Roof

*With the potential for substantial federal tax credits and state rebates, there's never been a better time to use your roof to reduce your energy expenses. Homes and buildings equipped with solar systems can appraise for significantly more than the cost of their investment. The Eagle Solar Roof. It's a safe, quiet, beautiful and environmentally responsible way to lower energy costs.*



## **Saving You Money Every Month**

- Significantly reduces monthly energy bill.
- Get credit from your local utility for power your home produces.
- 30% Federal tax credit is available for qualifying building owners.
- Adds significant resale value to the home.
- Protect yourself from utility cost increases.
- Rest assured in your low maintenance, state-of-the-art system.

## **A Durable, Reliable Solar Choice**

- Most advanced photovoltaic solution available.
- Environmentally responsible; significantly and positively impacts your energy and resource use.
- Provides quiet, safe and reliable power generation.

*“A solar electric system increases home value by \$20,000 for each \$1,000 in annual reduced operating costs, according to the Appraisal Institute. That is to say, if a solar system can reduce the electric bill by \$1,000 per year, the home is worth about \$20,000 more in increased appraisable value.*

*A solar electric system compares very favorably with other home improvements in percentage of cost recovered. Often, a solar system can recover much more than 100% of its cost and this percentage actually increases over time as electric rates rise.”*

Source: Andrew J. Black, Why Is A Solar Electric Home Worth More?

*For more information about Eagle's Solar Roof, please contact your local Eagle representative or email us at: [sales@eaglesolar.com](mailto:sales@eaglesolar.com)*

# Eagle Design Centers

*Eagle understands a beautiful roof is one of the most important architectural elements of a well-designed home. Eagle's regional Design Centers ensure trad/design professionals and homeowners have the support they need to make the best choices in roof color, texture, style and quality.*

## **A Visit To An Eagle Design Center Includes:**

- A place to meet with knowledgeable representatives who make the tile selection process easy with helpful information on Eagle products, supporting components and installation.
- An opportunity to preview a wide range of product samples in a variety of the most popular profiles and colors.
- A source for obtaining address lists of locally installed Eagle products so you can view them installed on a home.
- A resource for acquiring brochures and architectural binders; as well as assisting with technical questions.

At Eagle, we understand what you need to make one of the most vital decisions for a home's exterior and look forward to being of service to you. Visit your nearest Eagle Design Center at a location listed below.

### *Southern California*

17875 Sky Park Circle, Suite F  
Irvine, CA 92614  
Phone: 949-553-8333  
Fax: 949-553-9556

### *Southern California*

2352 N. Locust Ave.  
Rialto, CA 92377  
Phone: 800-400-3245  
Fax: 909-822-5940

### *Northern California*

9001 Foothills Blvd., Suite 120  
Roseville, CA 95747  
Phone: 916-789-4555  
Fax: 916-789-8746

### *Southwest*

4608 W. Elwood  
Phoenix, AZ 85043  
Phone: 602-346-1749  
Fax: 602-447-0674





## Helpful Tips

A tile roof is one of the best ways to protect and beautify your home or building, and has one of the lowest lifecycle costs of any roofing material.

- Choose a reliable and qualified tile roofing contractor who will ensure your new tile roof is installed properly and takes advantage of our Energy Saving Roof enhancements.
- If you live in a region prone to fire or hail, an Eagle tile roof may provide a reduction in your insurance premiums.
- Our Slurry/Color-Bonded tiles are not recommended in areas that are subject to repeated freeze-thaw cycles. Each of these colors is noted throughout the brochure for your convenience.
- If you choose one of our blends or colorful tiles, make sure your installer blends your roof properly to avoid concentrations of color (often referred to as checker boarding or hot spots).

To ensure your new tile roof is installed properly, Eagle can provide you with qualified roofing contractors in your area. Please contact us through our website or at any of our Design Centers.

## Installation & Structural Considerations For Tile

It's important to understand your local Building Codes to be aware of your local permits and guidelines; as well as any requirements for inspections by a licensed structural engineer or inspector. Make sure your roofer makes you aware of the products and accessories available that will improve your performance and reduce the chances of problems occurring.

Most homes in America are constructed in accordance with the Conventional Light-Frame Construction section of the building codes and will support a wide range of roofing materials. Should your home require additional bracing, the process is simple and costs minimal when you consider the benefits and energy-efficiency of an Eagle roof.

Our EagleLite products are designed specifically for reroofing, and provide beauty and performance in a roof that is built to outlast the structure they protect.

---

**DISCLAIMER**—All colors subject to change without notice. Actual tile colors may vary from presentation in online and printed materials. Slight variations in color or flashing may occur during manufacturing. Before making a final selection, be sure to obtain current tile samples and view current roof installations.

---

**APPROVALS**—ICC-ES ESR 1900: City of Los Angeles Research Report # RR 25021.

**FIRE RESISTANCE**—EAGLE tiles easily exceed the resistance requirements for burning brands and spread of flame listed in A.S.T.M. Class A fire test criteria.

**COLD WEATHER RESISTANCE**—All EAGLE tile products surpass the freeze-thaw test requirements of all known building code development agencies. Color-bonded/slurry coated tiles are not recommended in regions subject to repeated freeze-thaw cycles.

**INSTALLATION**—Detailed installation recommendations can be found in the Installation Manual for Moderate Climate Regions published by the Tile Roof Institute. For further information please visit: [tileroofing.org](http://tileroofing.org), ICC-ES ESR 2015P upon request, or visit: [icc-es.org](http://icc-es.org)

**WARRANTY**—Limited lifetime product warranty available. Note: EAGLE warrants the performance of tiles only. Workmanship and accessory materials must be warranted by others.

**EFFLORESCENCE**—Temporary light patterning may appear on darker tiles. This is caused by efflorescence and occurs naturally as seen on sidewalks, and brick walls when alkaline deposits gravitate to surfaces exposed to moisture. The surface of every EAGLE tile has been treated to minimize efflorescence.

### *Design Centers*

*Southern California*  
17875 Sky Park Circle, Suite F  
Irvine, CA 92614  
Phone: 949-553-8333  
Fax: 949-553-9556

*Southern California*  
2352 N. Locust Ave.  
Rialto, CA 92377  
Phone: 800-400-3245  
Fax: 909-822-5940

*Northern California*  
9001 Foothills Blvd., Suite 120  
Roseville, CA 95747  
Phone: 916-789-4555  
Fax: 916-789-8746

*Southwest*  
4608 W. Elwood  
Phoenix, AZ 85043  
Phone: 602-346-1749  
Fax: 602-447-0674

*Southern Florida*  
3100 NW Boca Raton Blvd., Suite 401  
Boca Raton, FL 33431  
Phone: 561-347-8180  
Fax: 561-347-8181

*Northern Florida*  
402 Northlake Blvd., Suite 1028  
Altamonte Springs, FL 32701  
Phone: 407-691-7100  
Fax: 407-691-5117

*Northwest Florida*  
13921 Icot Blvd., Suite 704  
Clearwater, FL 33760  
Phone: 727-531-2266  
Fax: 727-531-7711

### *Manufacturing and Stocking Yards*

*Southern California*  
2352 N. Locust Ave.  
Rialto, CA 92377  
Phone: 800-300-3245  
Fax: 909-854-7181

*Northern California*  
4555 S. McKinley  
Stockton, CA 95206  
Phone: 800-998-3245  
Fax: 209-234-4366

*Southwest*  
4602 W. Elwood  
Phoenix, AZ 85043  
Phone: 800-346-5260  
Fax: 602-442-8841

*Florida*  
1575 E. C R 470  
Sumterville, FL 33585  
Phone: 877-300-3245  
Fax: 877-300-3248

*South Florida Stocking Yard*  
1801 SW 42nd Way  
Deerfield Beach, FL 33442  
Phone: 877-300-3245



**Ponderosa  
LHP 8706 Cascade Blend**



**USA MADE**



**USA OWNED**



### *Corporate Offices*

3546 N. Riverside Ave.  
Rialto, CA 92377  
Phone: 909-822-6000

[www.eagleroofing.com](http://www.eagleroofing.com)

© 2011 Eagle Roofing Products 231 11/2011