



DEPARTMENT OF REGULATORY AND ECONOMIC RESOURCES (RER)
BOARD AND CODE ADMINISTRATION DIVISION

NOTICE OF ACCEPTANCE (NOA)

MIAMI-DADE COUNTY
PRODUCT CONTROL SECTION
11805 SW 26 Street, Room 208
Miami, Florida 33175-2474
T (786) 315-2590 F (786) 315-2599
www.miamidade.gov/economy

Eagle Roofing Products LLC
1575 East C.R. 470
Sumterville, FL 33585

SCOPE:

This NOA is being issued under the applicable rules and regulations governing the use of construction materials. The documentation submitted has been reviewed and accepted by Miami-Dade County RER -Product Control Section to be used in Miami-Dade County and other areas where allowed by the Authority Having Jurisdiction (AHJ).

This NOA shall not be valid after the expiration date stated below. The Miami-Dade County Product Control Section (in Miami-Dade County) and/or the AHJ (in areas other than Miami-Dade County) reserve the right to have this product or material tested for quality assurance purposes. If this product or material fails to perform in the accepted manner, the manufacturer will incur the expense of such testing and the AHJ may immediately revoke, modify, or suspend the use of such product or material within their jurisdiction. RER reserves the right to revoke this acceptance, if it is determined by Miami-Dade County Product Control Section that this product or material fails to meet the requirements of the applicable building code.

This product is approved as described herein, and has been designed to comply with the Florida Building Code including the High Velocity Hurricane Zone of the Florida Building Code.

DESCRIPTION: Medium Profile Concrete Tile

LABELING: Each unit shall bear a permanent label with the manufacturer's name or logo, city, state and following statement: "Miami-Dade County Product Control Approved", unless otherwise noted herein.

RENEWAL of this NOA shall be considered after a renewal application has been filed and there has been no change in the applicable building code negatively affecting the performance of this product.

TERMINATION of this NOA will occur after the expiration date or if there has been a revision or change in the materials, use, and/or manufacture of the product or process. Misuse of this NOA as an endorsement of any product, for sales, advertising or any other purposes shall automatically terminate this NOA. Failure to comply with any section of this NOA shall be cause for termination and removal of NOA.

ADVERTISEMENT: The NOA number preceded by the words Miami-Dade County, Florida, and followed by the expiration date may be displayed in advertising literature. If any portion of the NOA is displayed, then it shall be done in its entirety.

INSPECTION: A copy of this entire NOA shall be provided to the user by the manufacturer or its distributors and shall be available for inspection at the job site at the request of the Building Official.

This NOA revises NOA# 21-0315.04 and consists of pages 1 through 8.
The submitted documentation was reviewed by Alex Tigera.



NOA No. 21-0420.09
Expiration Date: 10/05/26
Approval Date: 09/02/21
Page 1 of 8

ROOFING ASSEMBLY APPROVAL

Category: Roofing
Sub Category: Roofing Tiles
Material: Concrete

1. SCOPE:

This approves a system using Eagle Roofing Products **Medium Profile Concrete Tile**, as manufactured by **Eagle Roofing Products LLC** in **Sumterville, FL** and described in Section 2 of this Notice of Acceptance. For use in locations where the pressure requirements, as determined by applicable Building Code, do not exceed the design pressure values obtained by calculations in compliance with RAS 127 using the values listed in section 4 herein. The attachment calculations shall be done as a moment based system.

2. PRODUCT DESCRIPTION:

<u>Manufactured by Applicant</u>	<u>Dimensions</u>	<u>Test Specifications</u>	<u>Product Description</u>
Medium Profile Concrete Tile	Lenght = 17" Width = 12 ½" Thickness= ½"	TAS 112 Type 1b Class III	Low profile, interlocking, high pressure extruded concrete roof tile equipped with three nail hole and double roll ribs. For direct deck or battened nail-on, mortar or adhesive set applications.
Trim Pieces	Lenght = varies Width = varies varying thickness	TAS 112	Accessory trim, concrete roof pieces for use at hips, rakes and ridges. Manufactured for each tile profile.

2.1 PRODUCTS MANUFACTURED BY OTHERS

<u>Product Name</u>	<u>Product Description</u>	<u>Manufacturer (With Current NOA)</u>
Polyset® AH-160	Two component polyurethane foam adhesive.	ICP Adhesives and Sealants, Inc.
TILE BOND™ Roof Tile Adhesive	Single component polyurethane foam roof tile adhesive.	DuPont de Nemours, Inc.
Touch ‘N Seal StormBond® 2 Two-Component Polyurethane Roof Tile Adhesive	Two component polyurethane foam adhesive.	DAP Foam, Inc.
Touch ‘N Seal StormBond® One Component Polyurethane Roof Tile Adhesive	One component polyurethane foam adhesive.	DAP Foam, Inc.

2.2 MANUFACTURING LOCATION

2.2.1. Sumterville, FL



2.3 EVIDENCE SUBMITTED:

<u>Test Agency</u>	<u>Test Identifier</u>	<u>Test Name/Report</u>	<u>Date</u>
PRI Construction Materials Technologies	ERPF-001-02-02	TAS 112	Aug. 2006
Redland Technologies	7161-03 Appendix III	Static Uplift Testing TAS 102 & TAS 102(A)	Dec. 1991
	7161-03 Appendix II	Wind Tunnel Testing TAS 108 (Nail-On)	Dec. 1991
	P0402	Withdrawal Resistance Testing of screw vs. smooth shank nails	Sept. 1993
The Center for Applied Engineering, Inc.	94-060B 94-084	Static Uplift Testing TAS 101 Static Uplift Testing TAS 101	March, 1994 May 1994
Redland Technologies	P0631-01 Letter Dated Aug. 1, 1994	Wind Tunnel Testing TAS 108 Wind Tunnel Testing TAS 108 (Nail-On)	July 1994 Aug. 1994
Professional Service Industries, Inc.	224-47099	Physical Properties TAS 112	Sept. 1994
The Center for Applied Engineering, Inc.	25-7094-1	Static Uplift Testing TAS 102 (4" Headlap, Nails, Direct Deck, New Construction)	Oct. 1994
	25-7094-7	Static Uplift Testing TAS 102 (4" Headlap, Nails, Battens)	Oct. 1994
	25-7094-4	Static Uplift Testing TAS 102 (4" Headlap, Nails, Direct Deck, Recover/Reroof)	Oct. 1994
	Project No. 307025 Test #MDC-76	Wind Driven Rain TAS 100	Oct. 1994
	25-7183-1	Static Uplift Testing TAS 102 (2 Quik-Drive Screws, Direct Deck)	Feb. 1995
	25-7183-2	Static Uplift Testing TAS 102 (2 Quik-Drive Screws, Battens)	Feb. 1995
	25-7214-2	Static Uplift Testing	March, 1995
	25-7214-6	TAS 102 (1 Quik-Drive Screw, Direct Deck) (1 Quik-Drive Screw, Battens)	
Celotex Corporation Testing Services	528454-2-1 520109-2	Static Uplift Testing TAS 101	Sep. 1998 Dec. 1998



Walker Engineering, Inc.	Evaluation Calculations	Two Patty Adhesive Set System	April 1999
	Evaluation Calculations	25-7183	March 1995
	Evaluation Calculations	25-7094	February 1996
	Evaluation Calculations	25-7496	April 1996
	Evaluation Calculations	25-7584	December 1996
		25-7804b-8	
		25-7804-4 & 5	
		25-7848-6	
	Calculations	Aerodynamic Multiplier	Sep. 2006
	Calculations	Restoring Moment Due to Gravity	Sep. 2006
ATL of South Florida	RT0317.01-21	TAS 112	03/27/21
PRI Construction	DAPF-001-02-04	TAS 101	11/30/17
Materials Technologies	DAPF-003-02-01	TAS 101	04/06/18
	DAPF-003-02-03	TAS 101	04/06/18
	2002T0003.06	TAS 101	11/06/20
NEMO ETC, LLC	4c-DPBS-20-LSOTM-01.D.R1	TAS 101	12/17/20

3. LIMITATIONS:

- 3.1 Fire classification is not part of this acceptance.
- 3.2 For mortar or adhesive set tile applications, a static field uplift test in accordance with TAS 106 shall be required, refer to applicable Building Code.
- 3.3 Applicant shall retain the services of a Miami-Dade County Certified Laboratory to perform quarterly test in accordance with TAS 112, appendix 'A'. Such testing shall be submitted to the Miami-Dade County Product Control Section for review.
- 3.4 Minimum underlayment shall be in compliance with the applicable Roofing Applications Standards listed section 4.1 herein.
- 3.5 30/90 hot mopped underlayment applications may be installed perpendicular to the roof slope unless stated otherwise by the underlayment material manufacturers published literature.
- 3.6 This acceptance is for wood deck applications. Minimum deck requirements shall be in compliance with applicable Building Code.
- 3.7 All products listed herein shall have a quality assurance audit in accordance with the Florida Building Code and Rule 61G20-3 of the Florida Administrative Code.



4. INSTALLATION

4.1 Eagle Roofing Products LLC, Medium Profile Concrete Tile and its components shall be installed in strict compliance with Roofing Application Standard RAS 118, RAS 119 and RAS 120.

4.2 Data For Attachment Calculations:

Table 1: Average Weight (W) and Dimensions (l x w)			
Tile Profile	Weight-W (lbf)	Length-l (ft)	Width-w (ft)
Medium Profile Concrete Tile	9.5	1.417	1.04

Table 2: Aerodynamic Multipliers - λ (ft ³)		
Tile Profile	λ (ft ³) Batten Application	λ (ft ³) Direct Deck Application
Medium Profile Concrete Tile	0.305	0.282

Table 3: Restoring Moments due to Gravity - M_g (ft-lbf)										
Tile Profile	2" & 3":12		4":12"		5":12"		6":12"		7":12" or greater	
	Battens	Direct Deck	Battens	Direct Deck	Battens	Direct Deck	Battens	Direct Deck	Battens	Direct Deck
Medium Profile Concrete Tile	N/A	6.65	6.21	6.54	6.08	6.41	5.93	6.25	5.77	6.08

Table 4: Attachment Resistance Expressed as a Moment - M_r (ft-lbf) for Nail-On Systems				
Tile Profile	Fastener Type	Direct Deck (min 15/32" plywood)	Direct Deck (min. 19/32" plywood)	Battens
Medium Profile Concrete Tile	2-10d Ring Shank Nails	27.8	37.4	28.8
	1-10d Smooth or Screw Shank Nail	8.8	11.8	4.1
	2-10d Smooth or Screw Shank Nails	16.4	21.9	7.1
	1 #8 Screw	25.8	25.8	22.9
	2 #8 Screw	47.1	47.1	49.1
	1-10d Smooth or Screw Shank Nail (Field Clip)	24.3	24.3	24.2
	1-10d Smooth or Screw Shank Nail (Eave Clip)	19.0	19.0	22.1
	2-10d Smooth or Screw Shank Nails (Field Clip)	35.5	35.5	34.8
	2-10d Smooth or Screw Shank Nails (Eave Clip)	31.9	31.9	32.2
	2-10d Ring Shank Nails ¹	43.0	67.5	50.9

¹ Installation with a 4" tile headlap and fasteners are located a min. of 2½" from head of tile.



**Table 5: Attachment Resistance Expressed as a Moment M_r (ft-lbf)
for Two Patty Adhesive Set Systems**

Tile Profile	Tile Application ²	Minimum Attachment Resistance
Medium Profile Concrete Tile	TILE BOND™ Roof Tile Adhesive	35 ³
	TILE BOND™ Roof Tile Adhesive	67 ⁴
	ICP Adhesives Polyset® AH-160	26.1 ⁵
	Touch N Seal StormBond® 2	101 ⁶
	Touch N Seal StormBond® (one component)	26 ⁷

² See manufactures component approval for installation requirements.

³ Medium paddy weight of 8 grams per paddy of TILE BOND™ Roof Tile Adhesive

⁴ Medium paddy weight of 16 grams per paddy of TILE BOND™ Roof Tile Adhesive

⁵ Medium paddy weight of 8 grams per paddy of Polyset® AH-160

⁶ Medium paddy weight of 8 grams per paddy of Touch 'N Seal StormBond® 2

⁷ Medium paddy weight of 8 grams between tile and underlayment, paddy weight of 5 grams on overlap of tile of Touch 'N Seal StormBond® (one component)

**Table 6: Attachment Resistance Expressed as a Moment - M_r (ft-lbf)
for Single Patty Adhesive Set Systems**

Tile Profile	Tile Application ⁸	Minimum Attachment Resistance
Medium Profile Concrete Tile	ICP Adhesives Polyset® AH-160	86.6 ⁹
	ICP Adhesives Polyset® AH-160	45.5 ¹⁰
	Touch N Seal StormBond® 2	54 ¹¹
	Touch N Seal StormBond® 2	61 ¹²

⁸ See manufactures component approval for installation requirements.

⁹ Large paddy weight of 54 grams of Polyset® AH-160

¹⁰ Large paddy weight of 24 grams of Polyset® AH-160

¹¹ Large paddy weight of 30 grams of Touch 'N Seal StormBond® 2

¹² Large paddy weight of 60 grams of Touch 'N Seal StormBond® 2

**Table 7: Attachment Resistance Expressed as a Moment - M_r (ft-lbf)
for Mortar Set Systems**

Tile Profile	Tile Application	Attachment Resistance
Medium Profile Concrete Tile	Mortar Set ¹³	20.6

¹³ Tile-Tite Roof Tile Mortar.



5. LABELING :

All tiles shall bear the imprint or identifiable marking of the manufacturer's name or logo (**See Detail Below**), or following statement: "Miami-Dade County Product Control Approved".



(LOCATED ON UNDERSIDE OF TILE)

OR

EAGLE FL

(LOCATED ON FRONTSIDE OF TILE)

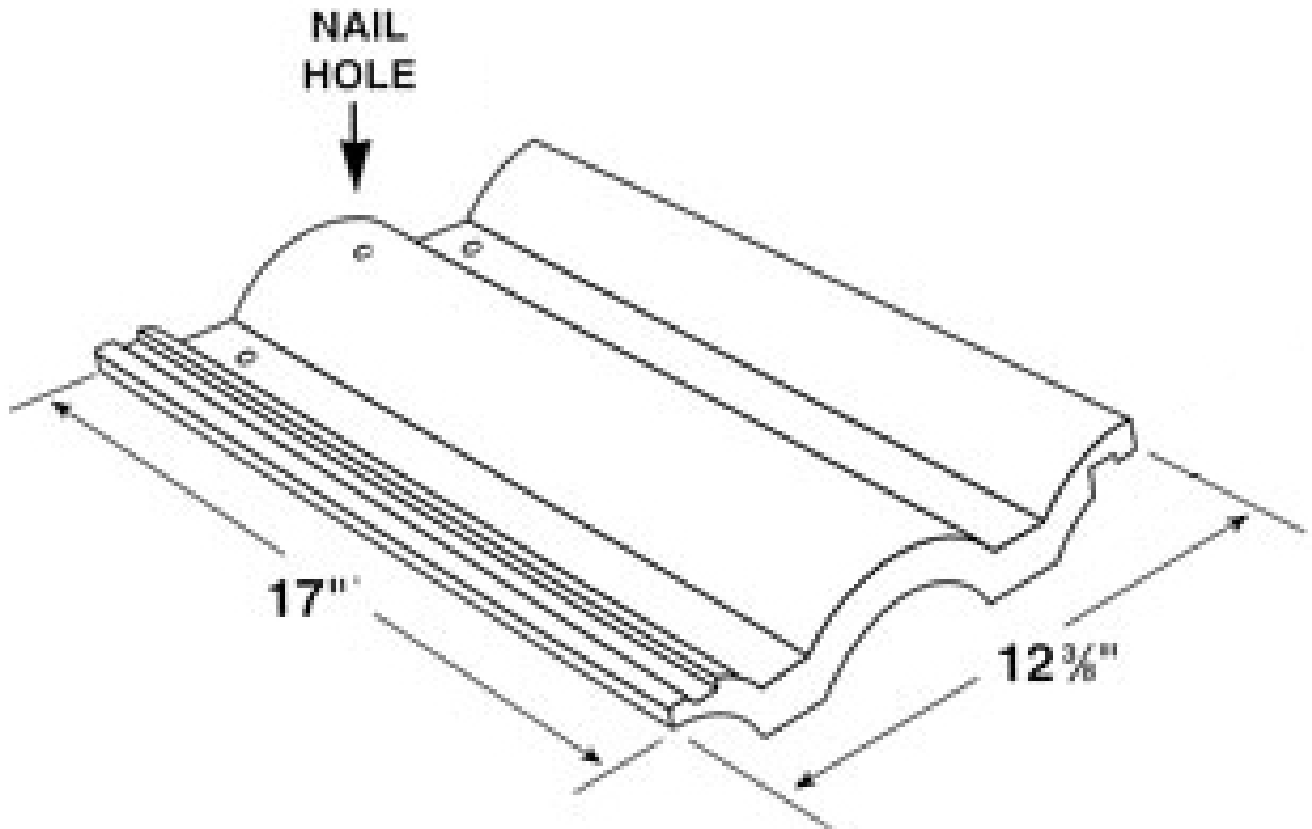
6. BUILDING PERMIT REQUIREMENTS:

- 6.1 Application for building permit shall be accompanied by copies of the following:
 - 6.1.1 This Notice of Acceptance.
 - 6.1.2 Any other documents required by AHJ or applicable Building Code in order to properly evaluate the installation of this system.



NOA No. 21-0420.09
Expiration Date: 10/05/26
Approval Date: 09/02/21
Page 7 of 8

PROFILE DRAWING



END OF THIS ACCEPTANCE