

# Eagle Roofing Products Concrete Roof Tile

## Technical Specifications




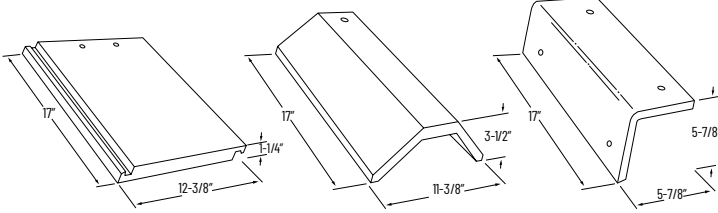
**EAGLELITE**  
Lightweight, Firesafe Roof Tile

Eagle standard weight & lightweight concrete roof tiles are available in the regions listed below. Please refer to your respective regional brochure for details, or visit [eagleroofing.com/browse-tile](http://eagleroofing.com/browse-tile) to view profiles and colors within your selected region. For additional help or sample requests, contact your local Eagle Account Representative.

**Bel Air** 12 3/8" wide X 17" long

Tiles per 100 sq ft with 3" headlap Approx. installed weight field tile per 100 sq ft



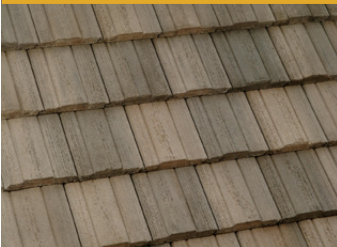


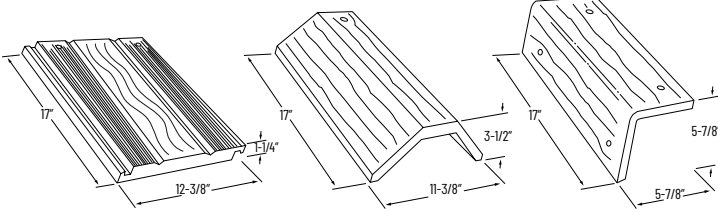
**88.5**     **Standard**     **970**  
*Availability: Nationwide & Canada*

**88.5**     **Eaglelite**     **720**  
*Availability: California & Southwest*

**Golden Eagle** 12 3/8" wide x 17" long

Tiles per 100 sq ft with 3" headlap Approx. installed weight field tile per 100 sq ft




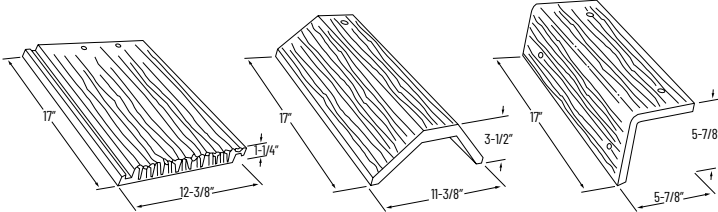


**88.5**     **Standard**     **970**  
*Availability: California, Northwest, Intermountain, Western Canada*

**Ponderosa** 12 3/8" wide x 17" long

Tiles per 100 sq ft with 3" headlap Approx. installed weight field tile per 100 sq ft






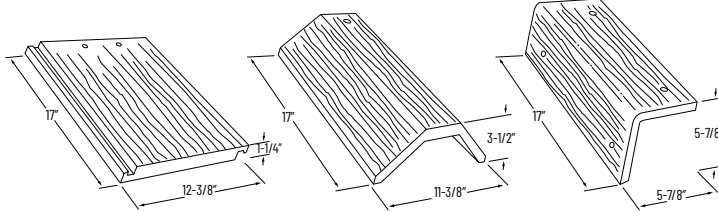
**88.5**     **Standard**     **970**  
*Availability: All Regions EXCEPT Florida, Southeast, Northeast and Midwest*

**88.5**     **Eaglelite**     **720**  
*Availability: California & Southwest*

**Sequoia** 12 3/8" wide x 17" long

Tiles per 100 sq ft with 3" headlap Approx. installed weight field tile per 100 sq ft




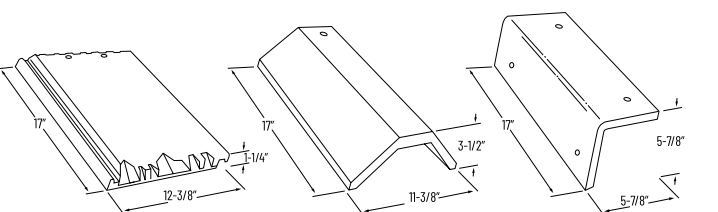


**88.5**     **Standard**     **970**  
*Availability: Florida, Southeast, Northeast and Midwest*

**Tapered Slate** 12 3/8" wide x 17" long

Tiles per 100 sq ft with 3" headlap Approx. installed weight field tile per 100 sq ft





**88.5**     **Standard**     **970**  
*Availability: All Regions EXCEPT Florida, Southeast, Northeast and Midwest*

# Eagle Roofing Products Concrete Roof Tile

## Technical Specifications



**EAGLELITE**  
Lightweight, Firesafe Roof Tile

Eagle standard weight & lightweight concrete roof tiles are available in the regions listed below. Please refer to your respective regional brochure for details, or visit [eagleroofting.com/browse-tile](http://eagleroofting.com/browse-tile) to view profiles and colors within your selected region. For additional help or sample requests, contact your local Eagle Account Representative.

Malibu	12 3/8" wide X 17" long	Tiles per 100 sq ft with 3" headlap	Approx. installed weight field tile per 100 sq ft
		<b>88.0</b>	<b>Standard 903</b>
		<i>Availability: All Regions EXCEPT Florida, Southeast, Northeast and Midwest</i>	
		<b>88.0</b>	<b>Florida 770</b>
<i>Availability: Florida, Southeast, Northeast and Midwest</i>		<b>88.0</b>	<b>Eaglelite 550</b>
<i>Availability: California &amp; Southwest</i>			

Capistrano	12 3/8" wide X 17" long	Tiles per 100 sq ft with 3" headlap	Approx. installed weight field tile per 100 sq ft
		<b>88.5</b>	<b>Standard 903</b>
		<i>Availability: All Regions EXCEPT Florida, Southeast, Northeast and Midwest</i>	
		<b>88.5</b>	<b>Florida 880</b>
<i>Availability: Florida, Southeast, Northeast and Midwest</i>		<b>88.5</b>	<b>Eaglelite 570</b>
<i>Availability: California &amp; Southwest</i>			

Boosted accessory piece available to go with your Capistrano base field tile. Colors vary by region.

Boosted Capistrano Accessory Piece	6 1/2" wide x 13 1/2" long (cap tile only)	Weight/piece	Application	Approx. installed weight field tile per 100 sq ft
		<b>Approx. 4.8 lbs.</b>	<b>10%</b>	<b>990</b>
			<b>20%</b>	<b>1080</b>
			<b>30%</b>	<b>1170</b>
<i>Standard Weight Availability: All Regions EXCEPT Florida, Southeast, Northeast and Midwest</i>		<b>Approx. 4.8 lbs.</b>	<b>10%</b>	<b>970</b>
<b>East Coast</b>	<b>20%</b>		<b>1055</b>	
	<b>30%</b>		<b>1145</b>	
<i>Standard Weight Availability: Florida, Southeast, Northeast and Midwest</i>				

### Design Centers

**Southern California**  
Irvine: 949-553-8333  
Rialto: 800-300-3245

**Northern California**  
Granite Bay: 916-789-4555

**Southern Utah/Nevada**  
Las Vegas: 702-389-2024

**Southwest**  
Phoenix: 602-346-1749

**Central Florida**  
Orlando/Altamonte Springs:  
407-912-0508

**Southwest Florida**  
Fort Myers: 239-292-8145  
Venice: 941-376-6038

**South Florida**  
Davie: 954-551-0717  
West Palm Beach: 561-221-9873

### Manufacturing

**Southern California**  
Rialto: 800-300-3245

**Northern California**  
Stockton: 800-998-3245

**Southwest**  
Phoenix: 800-346-5260

**Florida**  
Sumterville: 877-300-3245

### Stocking Yards

**Southern Utah/Nevada**  
Las Vegas: 702-389-2024

**South Florida**  
West Palm Beach: 954-420-5721



Corporate Offices  
3546 N Riverside Ave  
Rialto, CA 92377

connect with us!



[eagleroofting.com](http://eagleroofting.com)